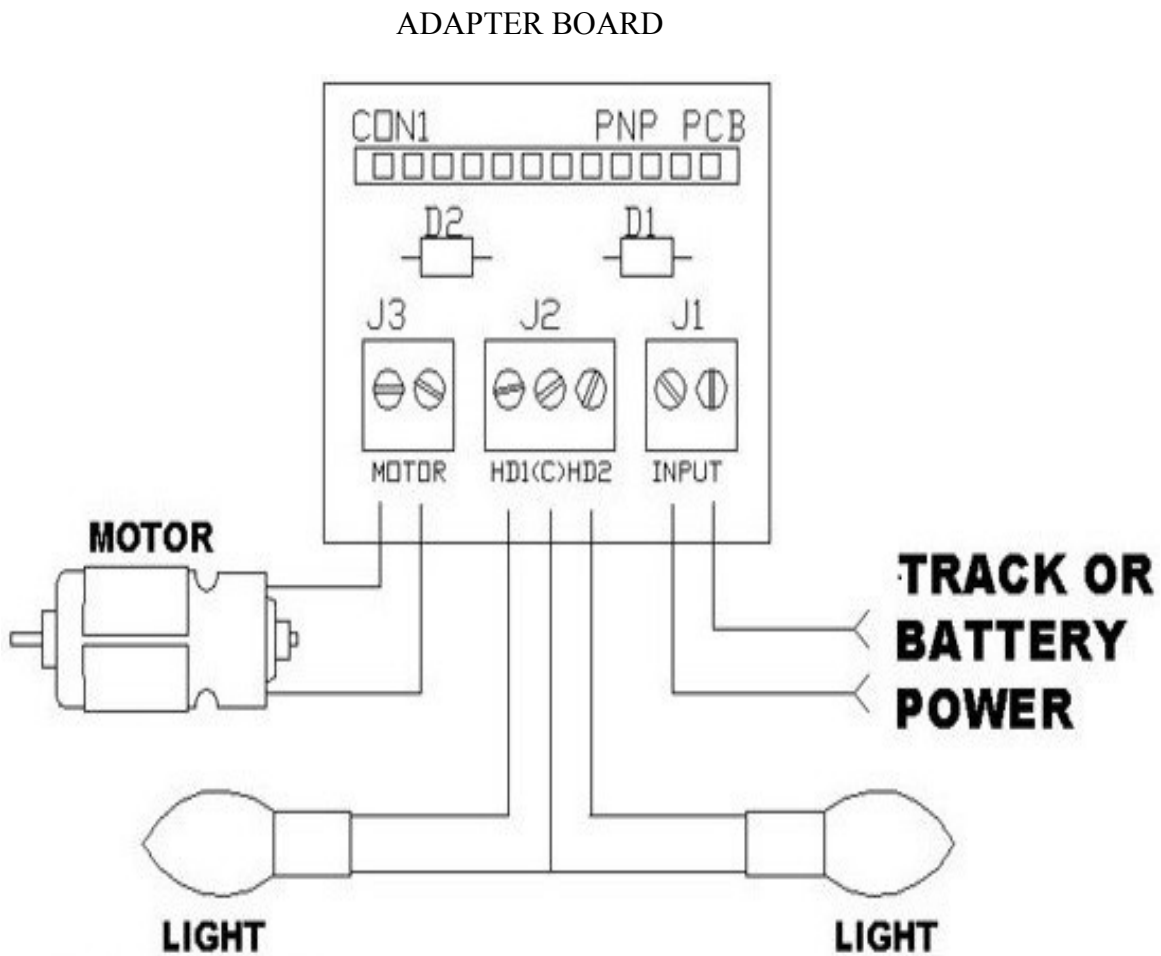


**CREST ELECTRONICS**  
[www.crest-electronics.net](http://www.crest-electronics.net)  
[crestelectronics2@yahoo.com](mailto:crestelectronics2@yahoo.com)  
P. #. 201-565-6069  
Fax-973-732-1410

### WIRING DIAGRAM FOR NON-PLUG N PLAY ADAPTER BOARD

Before any connections to the screw terminals on the adapter board locate the wires on the locomotive for the power, lights and motor. All wires must be isolated to prevent a short on the locomotive or the receiver.



**In put power connections are not polarity sensitive**

J1 – POWER INPUT CONNECTIONS

J2 – FRONT AND REAR LIGHTS CONNECTIONS

J3 – MOTOR CONNECTIONS