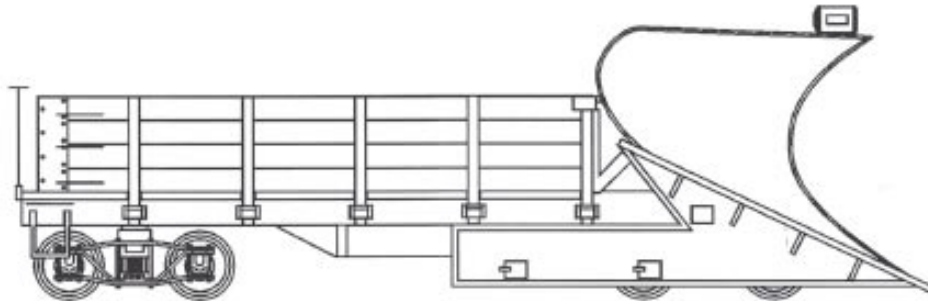


SNOW PLOW

INSTRUCTION MANUAL

ART-46700 - 01



ARISTO-CRAFT TRAINS

030100 NEW

Dear Model Railroader,

The Snow Plow is a highly detailed #1 Gauge, 1/29 scale model and is suitable for both indoor and outdoor operation.

Should you have any questions regarding operation, proper usage or maintenance required for this or any other ARISTO-CRAFT TRAINS products, please contact us at the following address:

ARISTO-CRAFT TRAINS / Polk's Modelcraft Hobbies, Inc.

698 South 21st Street, Irvington, NJ 07111 USA

Tel: (973) 351-9800 Fax: (973) 351-9700

e-mail: aristo@mindspring.com

Our customer service department phones are open from 10:00 AM to 5:00 PM Eastern time, Monday through Friday.

SNOW PLOW

The gondola-mounted snow plow is based on a Milwaukee road prototype and is very common. This type of plow is still used by many northern railroads to keep their tracks clear.

FEATURES Adjustable plow tip. Operating knuckle coupler. Detailed freight car trucks with ball bearings. Operating headlight. Note: There is no on-off switch for the headlight.

OPERATION This plow is intended to operate and remove snow from the right of way. Add weight to the gondola body in the form of stone, sand or other heavy material. This weight helps to keep the plow from derailing while attacking the drifts. The ball bearings on each wheel allow the extra weight to be carried. There is a blade adjustment screw on each side of the plow tip, allowing the tip to be raised or lowered a bit.

COUPLER This snow plow is equipped with a prototypically accurate, operating knuckle coupler. This coupler is factory installed on the rear truck and may be manually operated by pressing upward on the small tab below the coupler assembly. Automatic uncoupling may be accomplished by using an LGB designed uncoupling device (*LGB is a trademark of the Ernst Paul Lehmann Patenwerk, Germany*). Loop style couplers are enclosed for those who wish to install and use them.

LIMITED WARRANTY

All ARISTO-CRAFT TRAINS products are under warranty for five (5) years from the date of purchase against defects in workmanship and/or materials. Proof of purchase *may be required* by ARISTO-CRAFT TRAINS.

This warranty is void and does not apply to any product and/or parts and components which have been improperly installed by the purchaser/owner, abused or damaged in any way through improper operation such as but not limited to derailment, repairs or modifications performed by non-authorized service centers or technicians.

SERVICING

Should your ARISTO-CRAFT TRAINS product require warranty service, please return it in the original box, if possible, protected by a proper shipping carton. Send the product fully insured and prepaid. ARISTO-CRAFT TRAINS will not be responsible for any loss or damage incurred during shipping. Be sure to include a brief, but thorough explanation of the problem, together with your name, street address (no Post Office box please), city state or province and country, if outside of the United States. Also include a daytime telephone number so that we may contact you if necessary. Your return address should be clearly marked on the outside of the shipping carton.

Payment for shipping and handling, in U.S. funds, is \$20.00 and should be included. Your check or money order should be made payable to: Polk's Modelcraft Hobbies, Inc. Do not send cash. If your item is not covered by warranty service, you will be contacted and a repair estimate given before any work commences. Warranty covers manufacturer defects, not normal wear and tear.

The shipping address to be used for returns is as follows:

ARISTO-CRAFT TRAINS / Polk's Modelcraft Hobbies, Inc.
Customer Service Department
698 South 21st Street
Irvington, NJ 07111 USA
Tel: (973) 351-9800

Written confirmation of receipt of returned items will be sent with estimated repair time by the ARISTO-CRAFT TRAINS Customer Service Department.

PRINTED IN CHINA