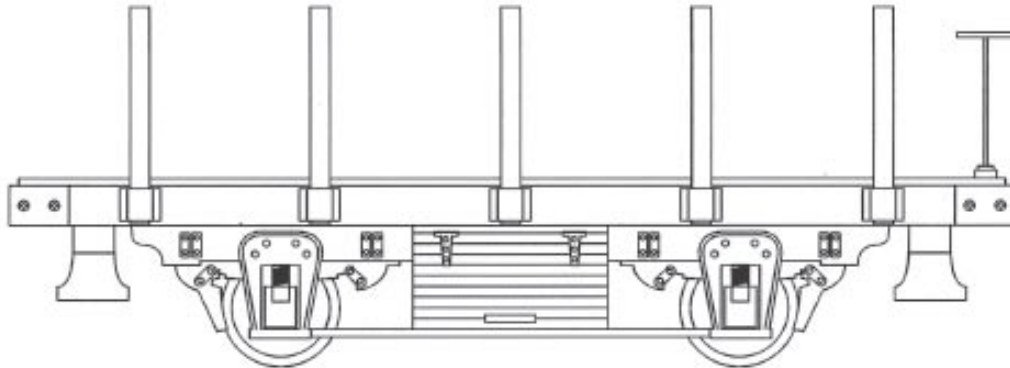




2-AXLE FLATCAR with STAKES

INSTRUCTION MANUAL

ART-40200 - 01



ARISTO-CRAFT TRAINS

070601 NEW

Dear Model Railroader,

This Flatcar is a highly detailed #1 Gauge model and is suitable for both indoor and outdoor operation.

Should you have any questions regarding operation, proper usage or maintenance required for this or any other ARISTO-CRAFT TRAINS products, please contact us at the following address:

**ARISTO-CRAFT TRAINS / Polk's
Modelcraft Hobbies, Inc.**

698 South 21st Street
Irvington, NJ 07111 USA

Tel: (973) 351-9800 Fax: (973) 351-9700

e-mail: aristo@mindspring.com

Our customer service department phones are open from 10:00 AM to 5:00 PM Eastern time, Monday through Friday.

WORKING FEATURES

Removable Stakes
Operating AAR design knuckle couplers
Detailed freight car trucks/wheelsets with individual springs

TRUCK BEARINGS

The truck sideframes are molded of a thermal plastic which reproduces all details and, for durability, a special bearing has been permanently inserted in each journal box end. These bearings are designed to operate properly WITHOUT lubrication. However, you MAY lubricate, if desired, using a dry lubricant of powdered graphite, a plastic-compatible liquid lubricant or, ARISTO-CRAFT TRAINS ART-29602 CONDUCTIVE LUBRICANT but only in very small amounts. It is not necessary to disassemble freight car trucks to properly lubricate. Turn freight car upside down and apply lubricant to axle ends at truck sideframe.

TRUCK SPRINGS

The trucks/wheelsets on this model are designed exactly like the trucks used on prototype railroads, and use springs for equalization to act as a shock absorber and cushion the ride.

COUPLERS

Loop-style couplers are enclosed as a spare accessory. The operating knuckle couplers on all ARISTO-CRAFT TRAINS freight cars are designed based upon the AAR style knuckle used on all major North American Railroads.

NOTE: These knuckle couplers may not operate automatically when attempting to couple ARISTO-CRAFT TRAINS products to knuckle couplers used by other model railroad manufacturers. Couplers may have to be joined by manually coupling the knuckle on each car in a closed position by lifting one end coupler and inserting the closed knuckle onto the ARISTO-CRAFT TRAINS knuckle coupler.

This type coupler works equally well from either end of the freight car and can be uncoupled automatically by using an LGB* designed uncoupling device. The couplers may also be operated manually by pressing upward on the small tab below each coupler assembly. Should you prefer to use the loop-style coupler, this conversion can be made easily and quickly by unscrewing the single screw that holds the AAR coupler to the truck arm and attaching the loop-style coupler using the same screw. Both style couplers are attached to truck arm at a swivel base. When operating railcar, this enables coupler(s) to articulate when encountering sharp radius curves or switches. Couplers will center automatically while car is in motion. Manual centering is accomplished by exerting light pressure on knuckle/loop; articulated joint and returning knuckle/loop to center.

*LGB is a trademark of the E.P.Lehmann Company, Germany.

LIMITED WARRANTY

All ARISTO-CRAFT TRAINS products are under warranty for five (5) years from the date of purchase against defects in workmanship and/or materials. Proof of purchase *may be required* by ARISTO-CRAFT TRAINS.

This warranty is void and does not apply to any product and/or parts and components which have been improperly installed by the purchaser/owner, abused or damaged in any way through improper operation such as but not limited to derailment, repairs or modifications performed by non-authorized service centers or technicians.

SERVICING

Should your ARISTO-CRAFT TRAINS product require warranty service, please return it in the original box, if possible, protected by a proper shipping carton. Send the product fully insured and prepaid. ARISTO-CRAFT TRAINS will not be responsible for any loss or damage incurred during shipping. Be sure to include a brief, but thorough explanation of the problem, together with your name, street address (no Post Office box please), city state or province and country, if outside of the United States. Also include a daytime telephone number so that we may contact you if necessary. Your return address should be clearly marked on the outside of the shipping carton.

Payment for shipping and handling, in U.S. funds, is \$20.00 and should be included. Your check or money order should be made payable to: Polk's Modelcraft Hobbies, Inc. Do not send cash. If your item is not covered by warranty service, you will be contacted and a repair estimate given before any work commences. Warranty covers manufacturer defects, not normal wear and tear.

The shipping address to be used for returns is as follows:

ARISTO-CRAFT TRAINS / Polk's Modelcraft Hobbies, Inc.
Customer Service Department
698 South 21st Street
Irvington, NJ 07111 USA
Tel: (973) 351-9800

Written confirmation of receipt of returned items will be sent with estimated repair time by the ARISTO-CRAFT TRAINS Customer Service Department.

PRINTED IN CHINA

ASSEMBLY INSTRUCTIONS

Side-pocket stakes are packaged in plastic bag. No other assembly required.

Insert side-pocket stakes into each opening, allowing set-back end of stake to fit properly in pocket. Stakes are "snap-fit".

