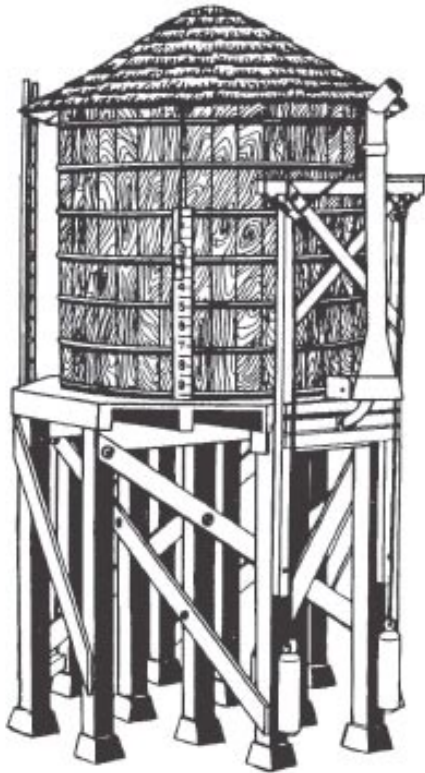


#1
Gauge



WATER TOWER

INSTRUCTION MANUAL
ART-7103 - 01



ARISTO-CRAFT TRAINS

030900 REV

Dear Model Railroader,

The Water Tower is a highly detailed #1 Gauge scale model and is suitable for both indoor and outdoor operation. It's design is based on a realistic North American prototype water tower.

Should you have any questions regarding operation, proper usage or maintenance required for this or any other ARISTO-CRAFT TRAINS products, please contact us at the following address:

**ARISTO-CRAFT TRAINS / Polk's
Modelcraft Hobbies, Inc.**

698 South 21st Street, Irvington, NJ 07111 USA

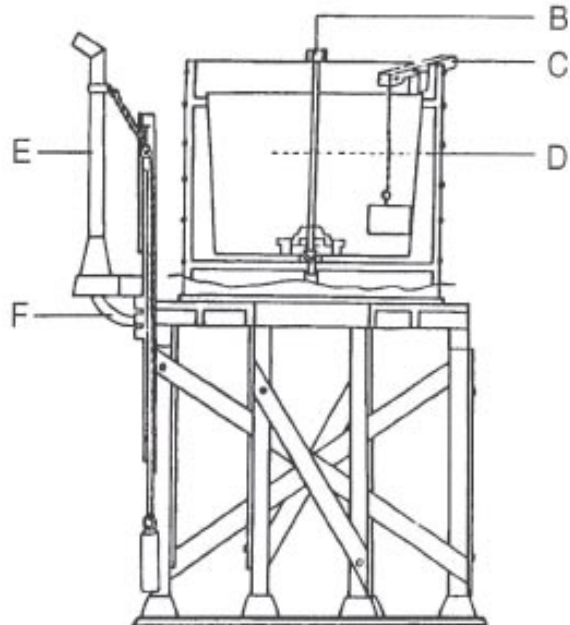
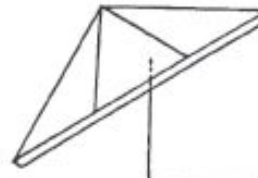
Tel: (973) 351-9800 Fax: (973) 351-9700

e-mail: aristo@mindspring.com

Our customer service department phones are open from 10:00 AM to 5:00 PM Eastern time, Monday through Friday.

PARTS

- A - Lid
- B - Shut-off valve
- C - Liquid level gauge
- D - Plastic pail
- E - Spout
- F - Tube



ASSEMBLY:

Although this Water Tank is mostly pre-assembled, there are several steps which are necessary for completion. 1) The Liquid Level Gauge (item C on the diagram) indicates how much liquid is in the tank. This item is packed in a poly-bag and must be installed. It is identified by having two corks at one end of a fine chain and a small brass cylinder at the other end of the chain. The chain has been put through 2 pulleys contained in a plastic holder. Clip this holder into a notch in the top of the tank wall, directly over the vertical, white gauge (numbered 1 – 9). The corks are on the inside of the tank, floating on the liquid and the brass cylinder is on the outside of the tank, indicating the level of the liquid.

2) The Spout Support is a chain with a large brass cylinder (weight) on each end. In the middle of this chain is secured a wire ring. There are also wire rings attached to the top of the uprights on either side of the spout. A) The wire ring in the middle of the chain is attached to the rounded tab on the top near the end of the spout. It is put through the small hole in the tab. B) The 2 pulleys are attached to the wire rings in the top of the uprights, with the brass weights hanging down on each side of the spout.

3) The Ladder is attached by placing its bottom into the 2 notches in the horizontal timber between the tank supports. One of the rungs is secured by the hook which is attached to the second brass tank band from the top.

USING THE TANK:

1) To fill the tank, remove the lid (A) and pour the liquid into the plastic pail (D). 2) To operate the tank: A) Remove the lid (A), B) Move the spout (E) to the down position. C) Turn the octagonal shut-off valve (B) counterclockwise to the open position. D) To turn off the flow of liquid, reverse A, B & C, above. E) Regarding the shut-off valve: Turn Clockwise = Close Turn Counterclockwise = Open

IT IS RECOMMENDED THAT THE LIQUID IN THE TANK NOT BE USED FOR HUMAN CONSUMPTION.

LIMITED WARRANTY

All ARISTO-CRAFT TRAINS products are under warranty for five (5) years from the date of purchase against defects in workmanship and/or materials. Proof of purchase *may be required* by ARISTO-CRAFT TRAINS.

This warranty is void and does not apply to any product and/or parts and components which have been improperly installed by the purchaser/owner, abused or damaged in any way through improper operation such as but not limited to derailment, repairs or modifications performed by non-authorized service centers or technicians.

SERVICING

Should your ARISTO-CRAFT TRAINS product require warranty service, please return it in the original box, if possible, protected by a proper shipping carton. Send the product fully insured and prepaid. ARISTO-CRAFT TRAINS will not be responsible for any loss or damage incurred during shipping. Be sure to include a brief, but thorough explanation of the problem, together with your name, street address (no Post Office box please), city state or province and country, if outside of the United States. Also include a daytime telephone number so that we may contact you if necessary. Your return address should be clearly marked on the outside of the shipping carton.

Payment for shipping and handling, in U.S. funds, is \$20.00 and should be included. Your check or money order should be made payable to: Polk's Modelcraft Hobbies, Inc. Do not send cash. If your item is not covered by warranty service, you will be contacted and a repair estimate given before any work commences. Warranty covers manufacturer defects, not normal wear and tear.

The shipping address to be used for returns is as follows:

ARISTO-CRAFT TRAINS / Polk's Modelcraft Hobbies, Inc.
Customer Service Department
698 South 21st Street
Irvington, NJ 07111 USA
Tel: (973) 351-9800

Written confirmation of receipt of returned items will be sent with estimated repair time by the ARISTO-CRAFT TRAINS Customer Service Department.

PRINTED IN CHINA