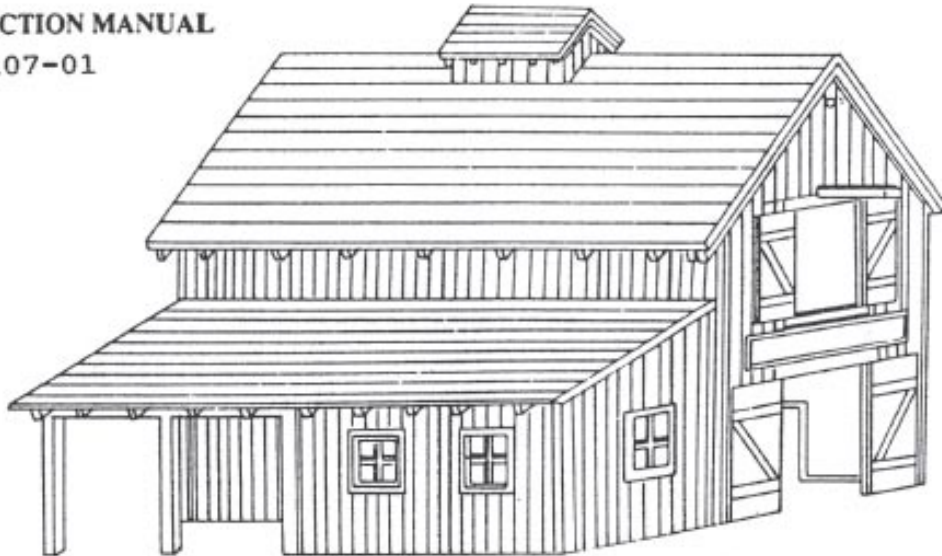


#1
Gauge

VICTORIAN BARN

INSTRUCTION MANUAL
7107-01



ARISTO-CRAFT TRAINS

050394 REV.

INTRODUCTION

Dear Model Railroader:

Should you have any questions about operation, proper usage, or maintenance required on this or any other ARISTO-CRAFT TRAINS' Model Railroad product, please contact us at the following address:

ARISTO-CRAFT TRAINS	PHONE: 973-351-9800
698 SOUTH 21ST STREET	FAX: 973-351-9700
IRVINGTON, NJ 07111	EMAIL: aristo@mindspring.com
	www.aristocraft.com

Our phone lines are open from 10:00 AM to 5:00 PM (EASTERN STANDARD TIME) Monday through Friday

Good Railroading!!!!

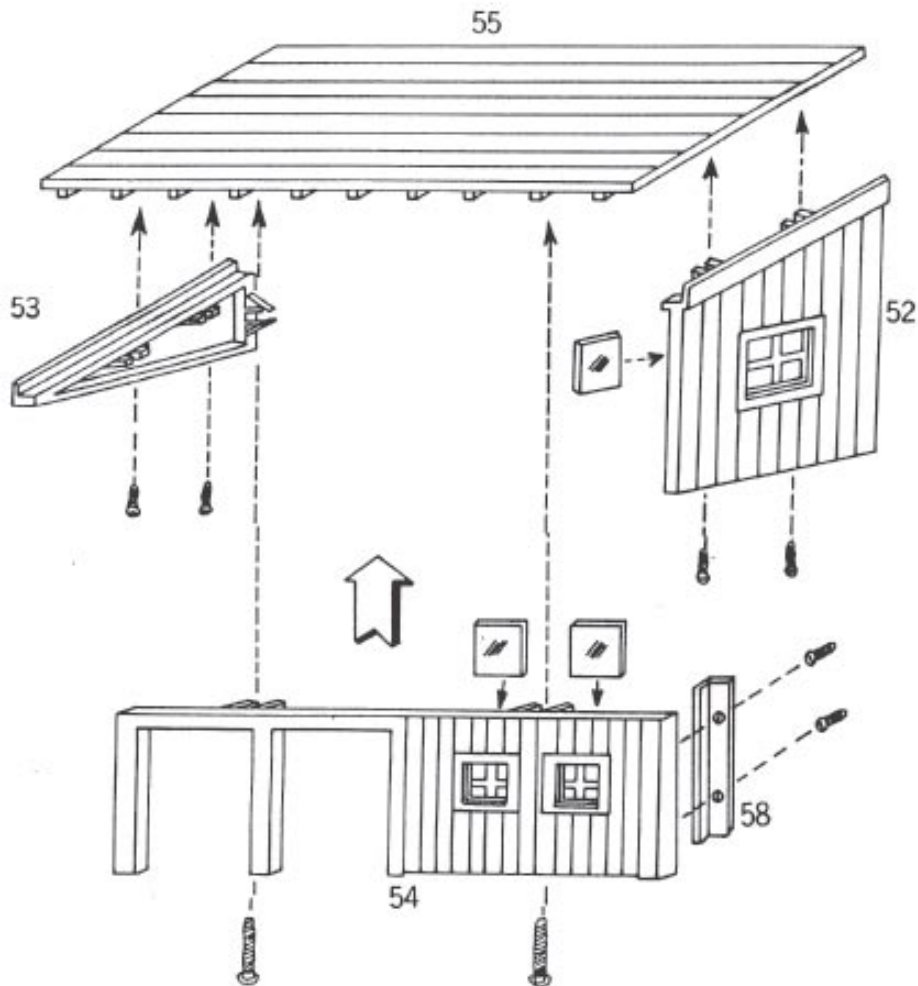
ASSEMBLY INSTRUCTIONS

(1) Required before assembly Screwdriver and either liquid plastic cement or super glue.

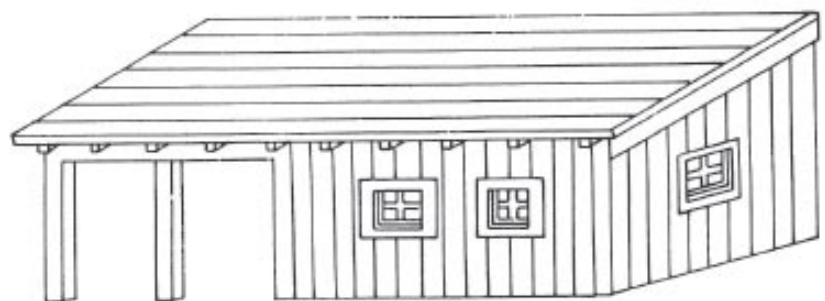
(2) Assembly of "BLOCK A"

⊙ Please assemble with the screw(2X6) and attach the window panes as per illustration.

⊙ Attach piece # 54 and # 58 with screw(2X6) and attach window panes, then use screw (2X8) to attach # 54 to # 55.

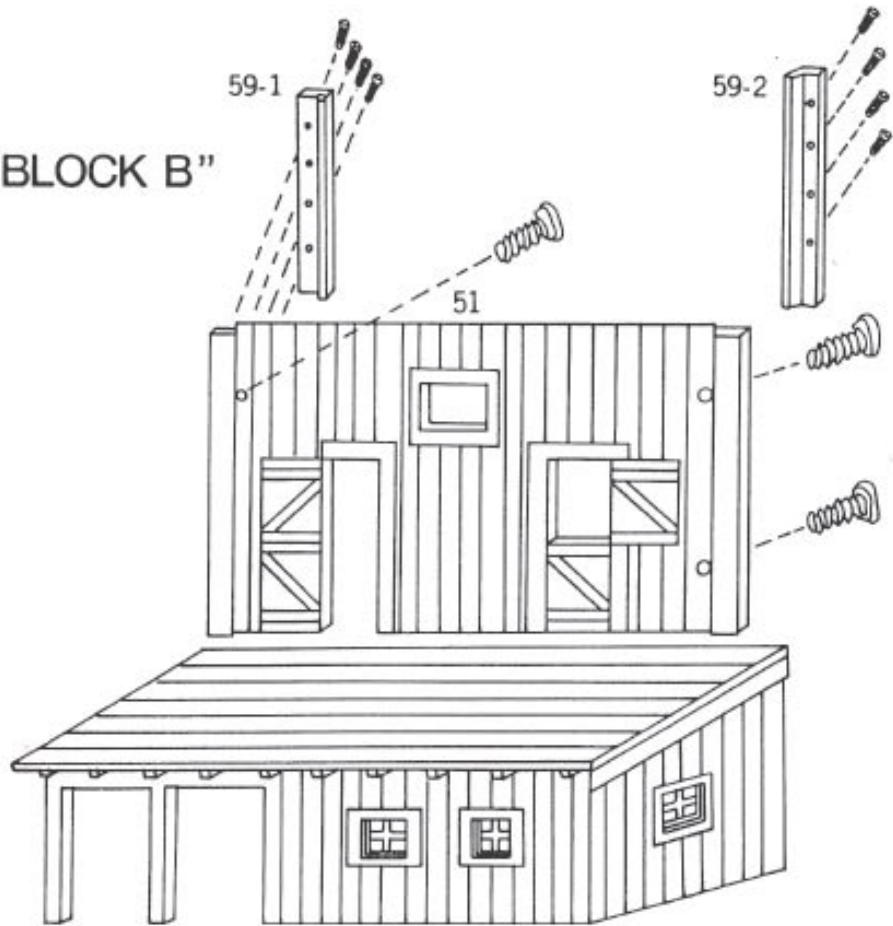


* The resulting subassembly block is now named "BLOCK A"



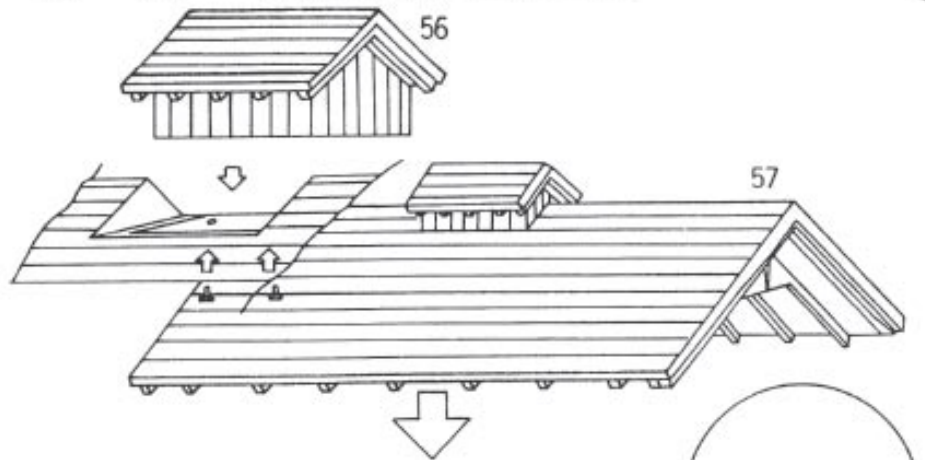
(3) Assembly of "BLOCK B"

- ⊙ Attach # 59-1 and # 59-2 to # 51 using screw(2X6) 8 pcs.
- ⊙ Attach above to "BLOCK A" using 3 pcs of screw(3X8).
- * The resulting subassembly block is named "BLOCK B"



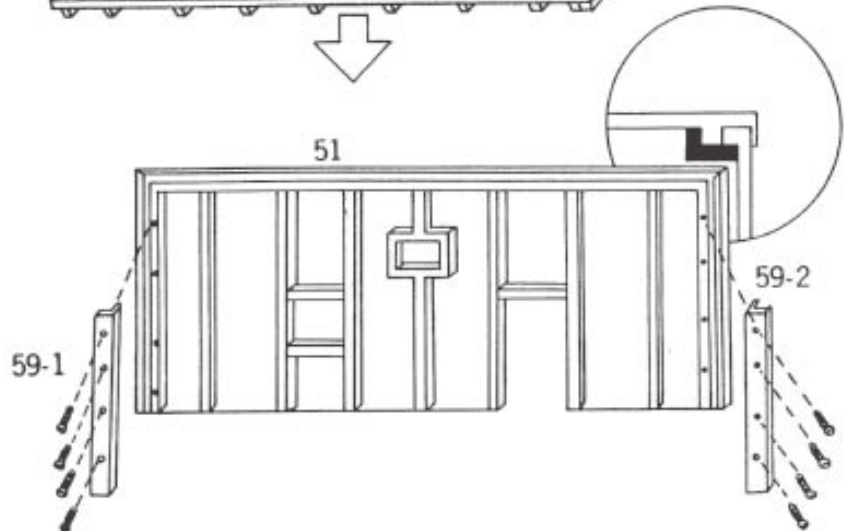
(4) Assembly of "BLOCK C"

- ⊙ Attach # 56 and # 57 using screw (3X8) 2 pcs.
- * The resulting subassembly block is named "BLOCK C"



(5) Assembly of "BLOCK D"

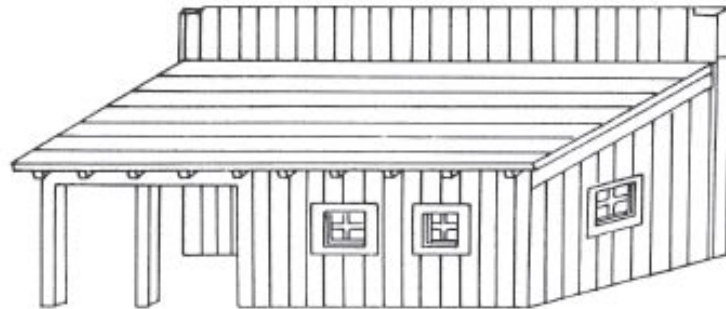
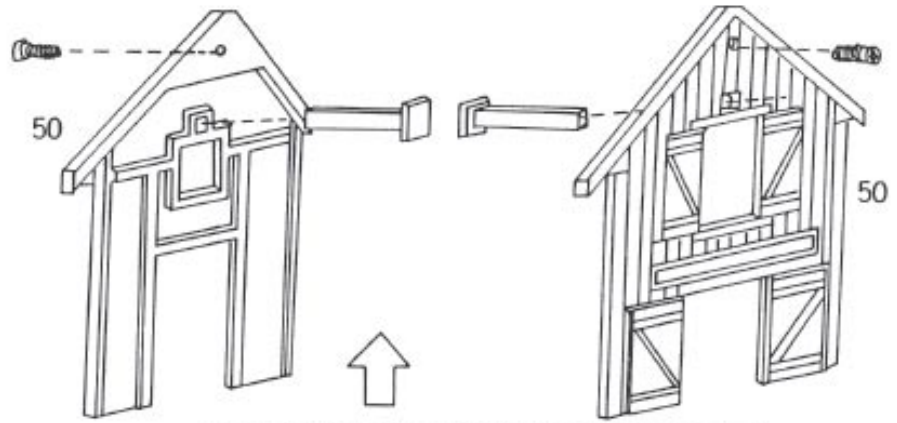
- ⊙ Attach # 59-1 and # 59-2 to # 51 using 8 pcs of screw (2X6).



⊙ Thread in the support into # 50 and glue the piece firmly.

⊙ Attach "BLOCK B" with # 51 with the assembled piece of # 50 in between.

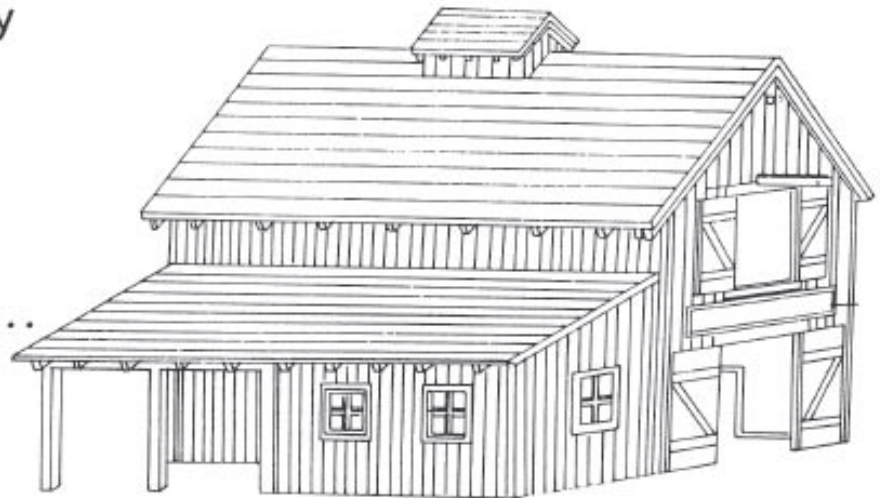
* This is called "BLOCK D".



(6) Final assembly

⊙ Attach "BLOCK C" with "BLOCK D" with 2 pcs of screw (3x8).

* Attach the HEX signs . . .



and position HORSE animal figures as required.
Animal figures not included with Built-up Version of Victorian Barn

PARTS LISTING for ART-7107 VICTORIAN BARN.

PART#	DESCRIPTION	COST
7107-01	Instruction Manual	\$ 1.00
7107-50	Main End (Front or Rear) Wall	8.00
7107-51	Main Long Wall	16.00
7107-52	Side Small Wall	5.00
7107-53	Side Roof Support	3.00
7107-54	Side Long Wall	10.00
7107-55	Side Roof	10.00
7107-56	Cupola Assembly	5.00
7107-57	Main Roof	16.00
7107-58	Side Wall Connector	2.00
7107-59	Main Wall Connector	2.00
7107-60	Hex Signs (4 ass't)	8.00
7201	Horse (White)	2.00
7202	Horse (Lt. Brown)	2.00
7203	Horse (Dk. Brown)	2.00
7204	Horse (Black)	3.98
7205	Cow	3.98
7206	Sheep	3.98
29403	Assorted Screw Set	4.98

Call for current availability and pricing for parts. Not all parts available. Some items including animal figures discontinued.

NOTE: When ordering replacement parts or repair request, please refer to the proper ART part number shown above.

Unpainted/black plastic PART(S) will be automatically substituted if the Painted-to-match PART(S) ordered not available.

In addition to COST shown above, please enclose ...
 \$3.50 shipping/handling* if PART Order less than \$10.00 or
 \$5.00 shipping/handling* if PART Order \$10.00 and above.

*This is for PART Order only, not WARRANTY Order.
 NO C.O.D. shipping on parts, prepaid or Charge Card ONLY

LIMITED WARRANTY

Your new ARISTO-CRAFT TRAINS locomotive, freight/passenger railcar, train-set, or accessory is warranted for 180 days from DATE OF PURCHASE against defects in workmanship and/or materials. Proof of purchase may be required by ARISTO-CRAFT TRAINS.

This warranty is VOID and does not apply to any product and/or parts and components that may have been improperly installed by purchaser/owner, abused or damaged in any way through improper operation such as train derailment, modified, or repaired by unauthorized service centers and/or non-factory authorized technicians.

SERVICING:

Should your ARISTO-CRAFT TRAINS product require warranty service, be sure to take the following steps to assure proper servicing:

1. Return product in ORIGINAL BOX, then pack this ORIGINAL BOX in proper shipping carton. If not possible to use original box, only pack product carefully in strong cardboard box, FULLY INSURED and PREPAID. ARISTO-CRAFT TRAINS will not be responsible for any damage or loss incurred during return for servicing.
2. Include a brief but thorough explanation of the problem(s) and the service that may be required.
3. Be sure to include your name, address (no post office box, please), city, state (or province), country (if outside USA), and postal zipcode along with a daytime telephone number, including Area Code, so that you may be contacted if it becomes necessary. All identification should be both INSIDE package and on OUTSIDE shipping carton/box.
4. Include proper payment for shipping/handling -

CALL FOR CURRENT SHIPPING COSTS

- with check (written on your USA Bank Account)/Money Order payable in US Dollars (\$) to: Polk's Hobbies. Please DO NOT SEND CASH. If your returned item is out of warranty, you will be contacted with amount of repair cost before repairs are started.
 C.O.D. shipping charges are additional cost.

5. Ship your item(s) to:

ARISTO-CRAFT TRAINS
 698 SOUTH 21ST STREET
 IRVINGTON, NJ 07111

6. Immediate written confirmation of receipt of returned item(s) will be sent along with estimated repair time/cost by ARISTO-CRAFT TRAINS Service/Repair Department.

PHONE: 973-351-9800
FAX: 973-351-9700
EMAIL: aristo@mindspring.com
www.aristocraft.com