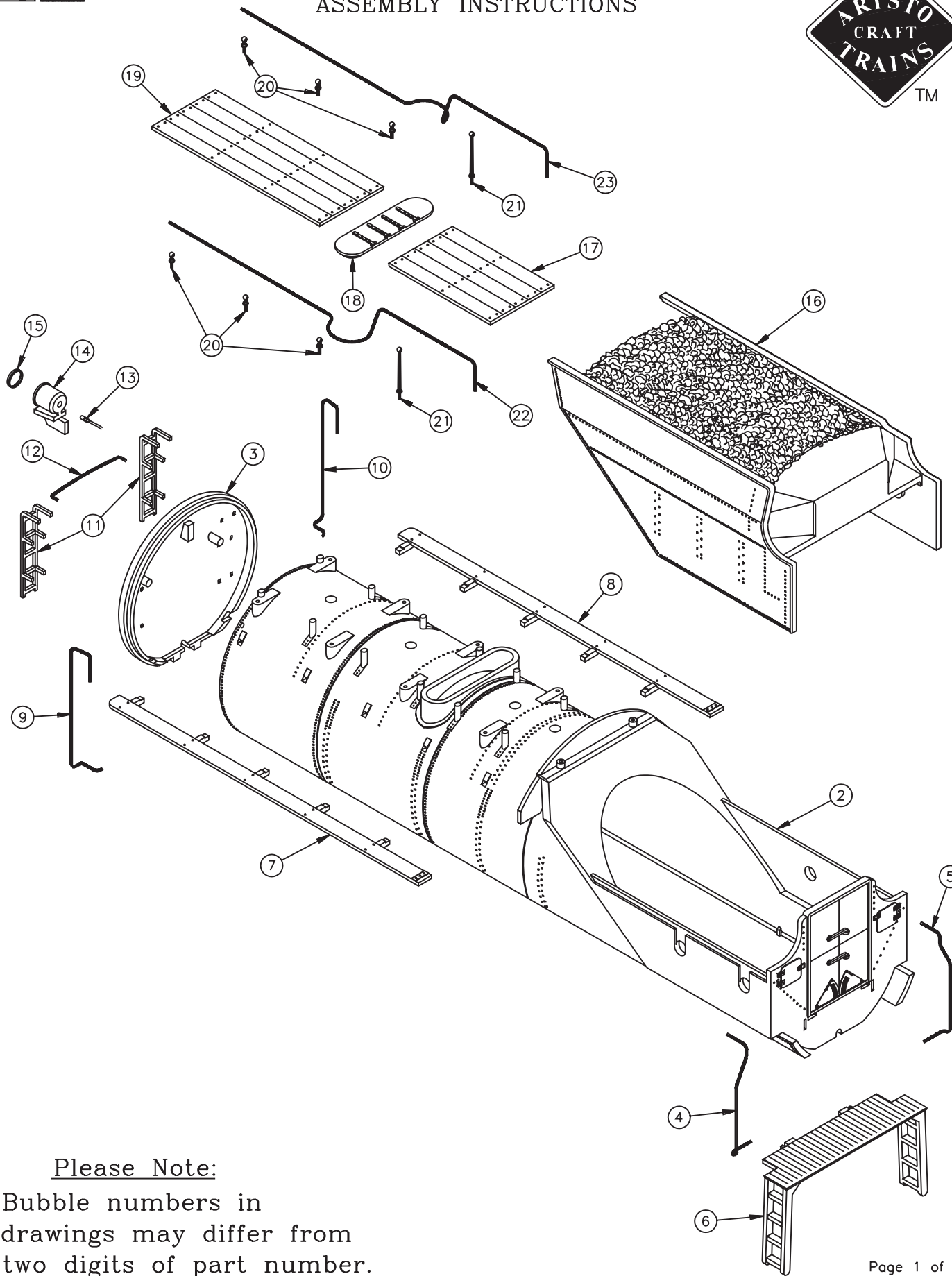


ART-21850 SERIES VANDERBILT TENDER

ASSEMBLY INSTRUCTIONS



+



+

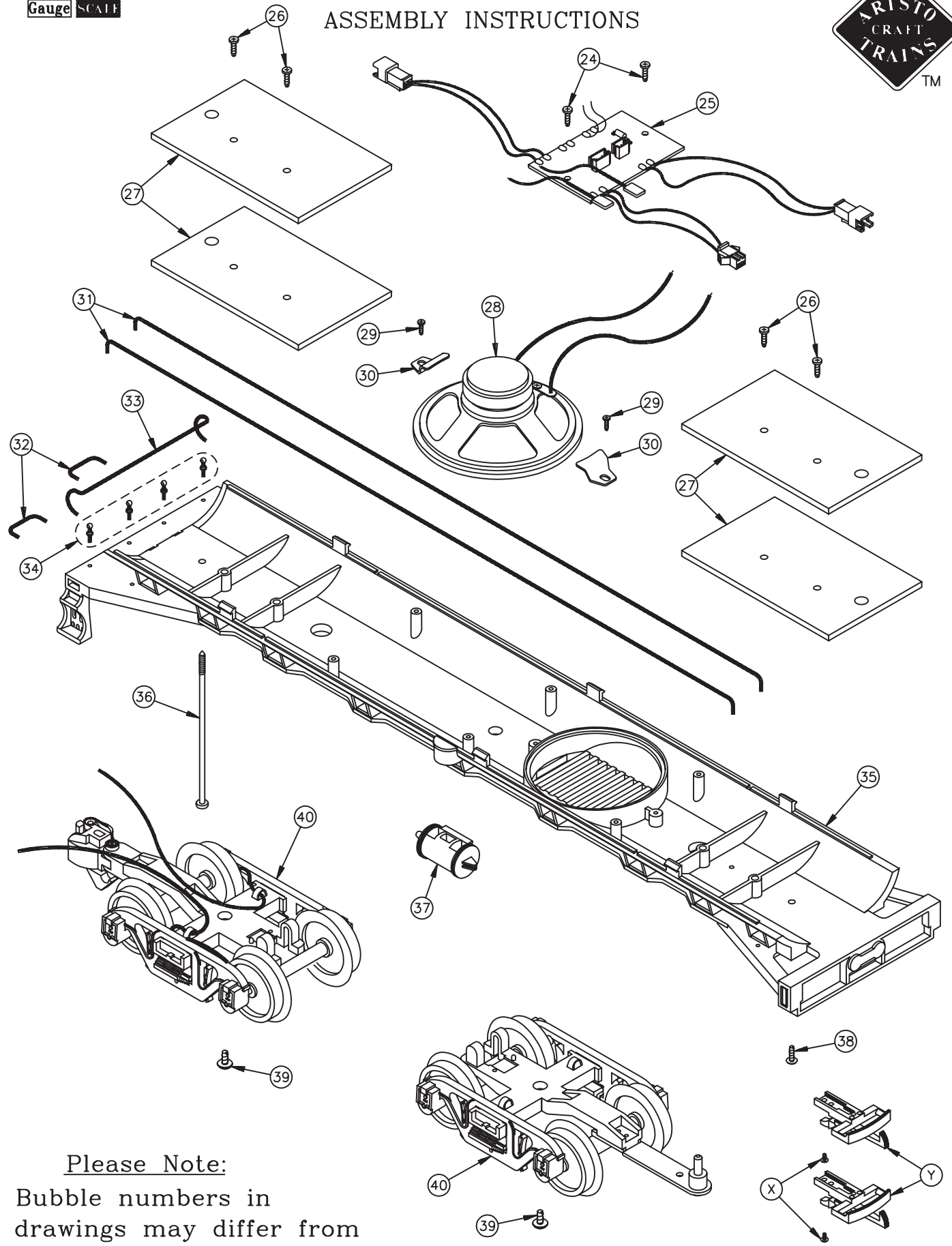
+

Please Note:

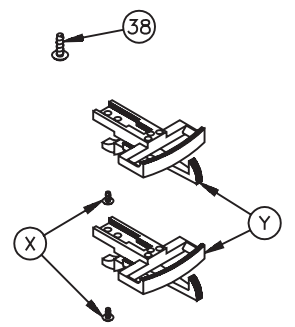
Bubble numbers in drawings may differ from two digits of part number.

ART-21850 SERIES VANDERBILT TENDER

ASSEMBLY INSTRUCTIONS



Please Note:
Bubble numbers in drawings may differ from two digits of part number.



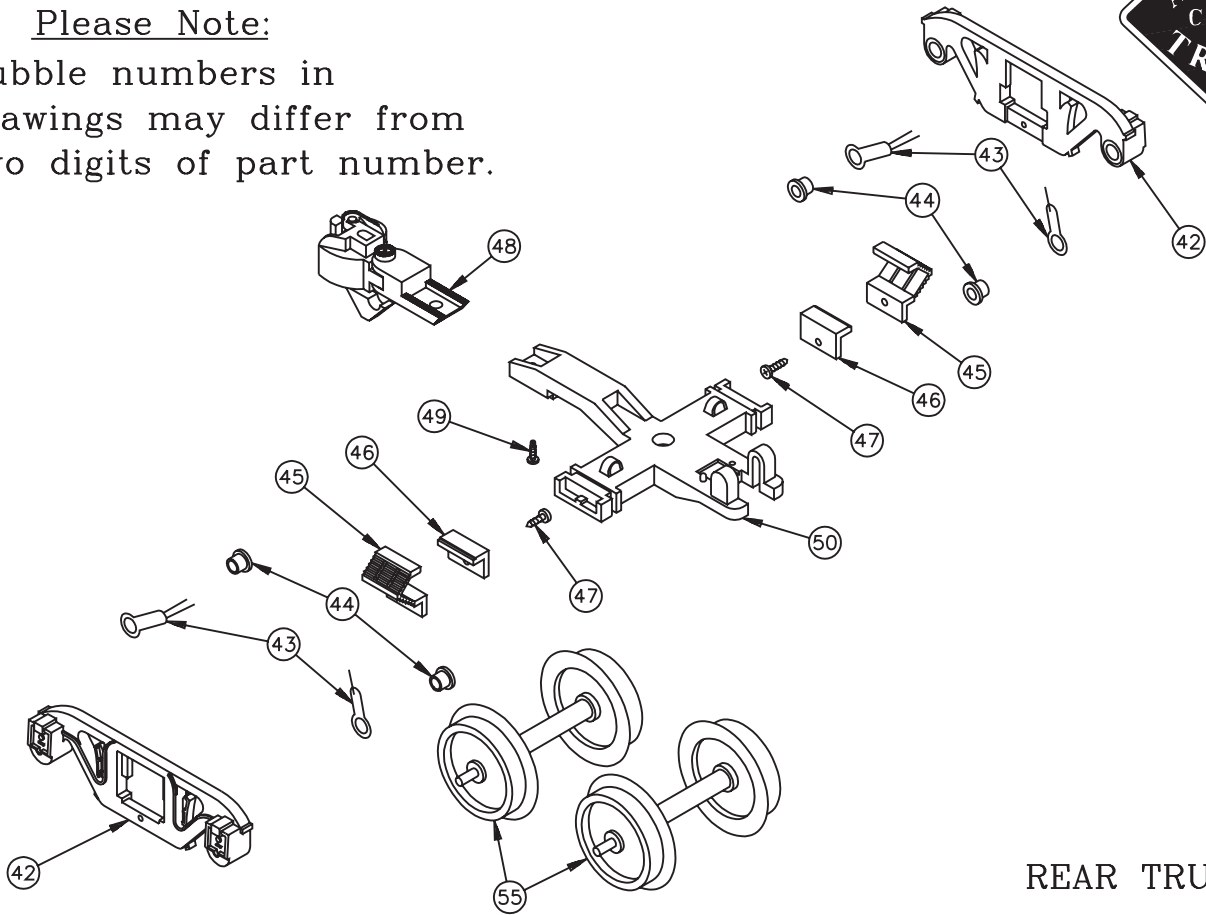
ART-21850 SERIES VANDERBILT TENDER

ASSEMBLY INSTRUCTIONS



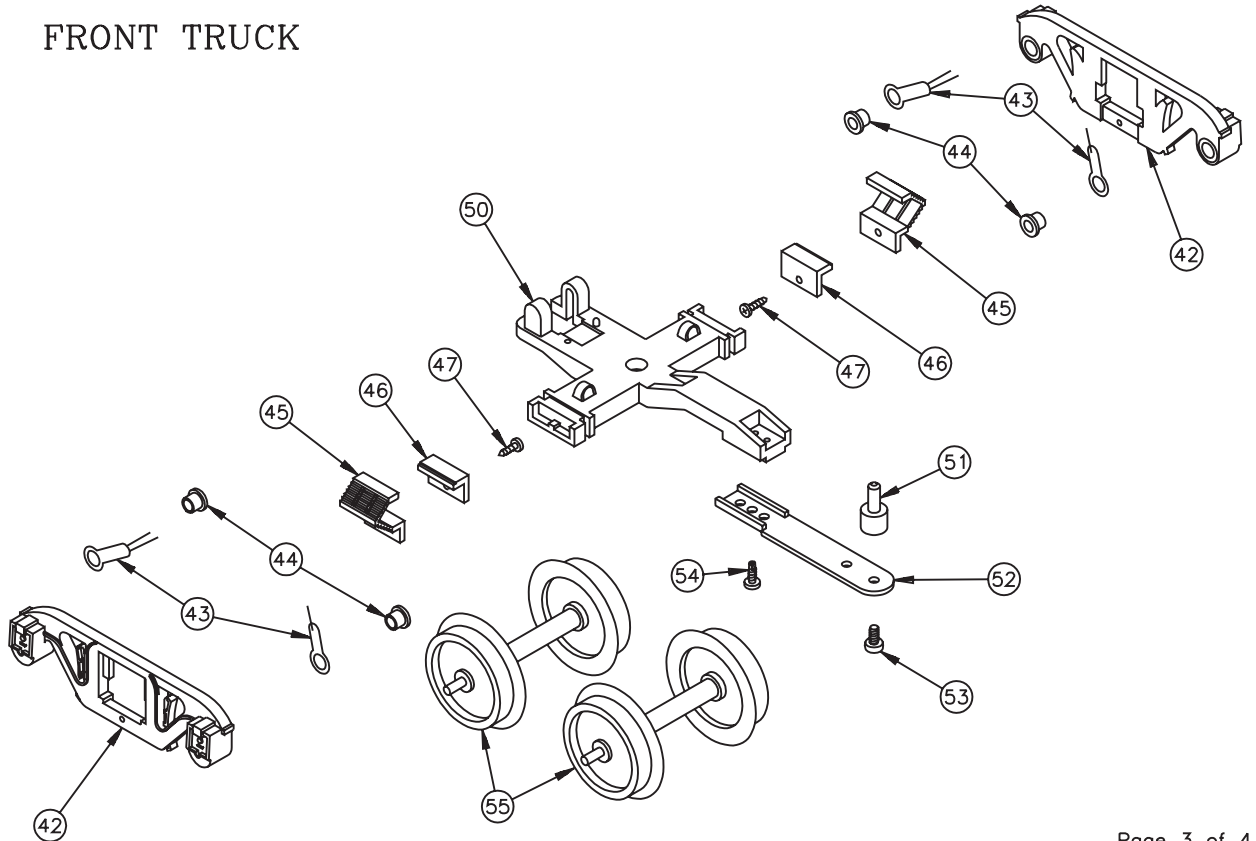
Please Note:

Bubble numbers in drawings may differ from two digits of part number.



REAR TRUCK

FRONT TRUCK



ART-21850 SERIES VANDERBILT TENDER

PARTS LIST-ORDER FORM



SPECIFY ROADNAME/ART#: _____ Insert Quantity Ordered

Part #	Description *	Price	Insert Quantity Ordered
① 21850-01	Instruction Manual	\$.00	
② 21850-02	Body Shell	20.00	
③ 21850-03	End Cap	3.00	
④ 21850-04	Forward Grab Iron R.H.	1.00	
⑤ 21850-05	Forward Grab Iron L.H.	1.00	
⑥ 21850-06	Front Deck and Steps	4.00	
⑦ 21850-07	Side Platform R.H.	2.00	
⑧ 21850-08	Side Platform L.H.	2.00	
⑨ 21850-09	Rear Grab Iron R.H.	1.00	
⑩ 21850-10	Rear Grab Iron L.H.	1.00	
⑪ 21850-11	Rear Ladder	1.00	
⑫ 21850-12	Long Grab Iron	1.00	
⑬ 21850-13	Light Bulb	1.00	
⑭ 21850-14	Lamp Housing	3.00	
⑮ 21850-15	Light Lens	1.00	
⑯ 21850-16	Coal Bunker	5.00	
⑰ 21850-17	Short Platform	1.00	
⑱ 21850-18	Water Fill Hatch	3.00	
⑲ 21850-19	Long Platform	1.50	
⑳ 21850-20	Short Hand Rail Stanchion	1.00	
㉑ 21850-21	Long Hand Rail Stanchion	1.50	
㉒ 21850-22	Hand Rail R.H.	1.00	
㉓ 21850-23	Hand Rail L.H.	1.00	
㉔ 21850-14	Circuit Board Screws	0.50	
㉕ 21850-15	Circuit Board	20.00	
㉖ 21850-16	Body Weight Screw	0.50	
㉗ 21850-17	Body Weight	1.50	
㉘ 21850-20	Speaker	5.00	
㉙ 21800-19	Speaker Hold Down Screws	0.50	
㉚ 21800-18	Speaker Hold Down	0.50	
㉛ 21850-31	Long Grab Iron	2.00	
㉜ 21850-32	Rear Grab Iron	1.00	
㉝ 21850-33	Rear Hand Rail	1.00	
㉞ 21850-34	Short Stanchion	1.00	
㉟ 21850-35	Chassis	15.00	
㊱ 21850-36	Long Body Shell Screw	1.00	
㊲ 21850-37	Air Reservoir	1.00	
㊳ 21850-38	Body Shell Screw	0.50	
㊴ 21800-47	Truck Bolster Screw	0.50	
㊵ ART-29108	Truck - pair (excludes Coupler & Draw Bar)	35.00	
㊶ 21800-60	Wheel	5.00	
㊷ 21800-52	Side Frame	2.00	
㊸ 21800-53	Conductors	1.00	
㊹ 21800-54	Bushing	0.50	
㊺ 21800-55	Spring	1.50	
㊻ 21800-56	Spring Mount	1.50	
㊼ 21800-57	Spring Mount Screw	0.50	
㊽ ART-29200	Knuckle Coupler - pair	8.00	
㊾ 21800-65	Coupler Screw	0.50	
㊿ 21800-51	Bolster	3.00	
① 21800-61	Draw Bar Pin	1.00	
② 21800-62	Draw Bar	2.00	
③ 21800-63	Draw Bar Pin Retaining Screw	0.50	
④ 21800-68	Draw Bar Retaining Screw	0.50	
⑤ 21850-56	Mounting Screw	0.50	
⑥ 21850-57	Plastic Loop/Hook Coupler	No Charge	
⑦ 21850-99	Parts List - Order Form	No Charge	

* one piece unless otherwise noted

RETURN THIS FORM WITH YOUR ORDER

NOTE: When ordering replacement parts or a repair request, please refer to proper 5 or 7 digit number listed. All parts are undecorated. Not all parts are available. Prices are subject to change without notice. Some parts shown may not exist on model or roadname. FOR ALL VANDERBILT TENDERS, 21850-PLUS 2 digit number should be used to denote specific part, i.e. 21850-16 Coal Bunker. Please NOTE: Bubble numbers in drawings may differ from two digits of part number.

In addition to Price Each shown please enclose...
 \$3.50 shipping/handling if part order is less than \$10.00 or
 \$5.00 shipping/handling if part order is \$10.00 or more.

This is for part order only. Not WARRANTY order.

Include proper payment for parts plus shipping/handling with your (USA Bank Account Only) check/money order payable in US Dollars (\$) to: Polk's Hobbies. Please DO NOT SEND CASH. Sorry no C.O.D.'s for parts.

New Jersey residents add 6% NJ State Sales Tax.

Be Sure to include your name, street address (no Post Office Box please), city, state (or province), country (if outside USA), and postal zip code, along with daytime phone number including Area Code, so that you may be contacted if necessary.

Not all parts available at all times. Parts requests/ orders are not back ordered. Fulfillment of orders not guaranteed.

Mail order form and payment to:

ARISTO-CRAFT TRAINS/Polk's Modelcraft Hobbies, Inc.
 698 South 21st Street
 Irvington, NJ 07111 USA

Allow 4-6 weeks for processing and delivery.

PLEASE PRINT CLEARLY

NAME: _____

ADDRESS: _____

CITY: _____ STATE: _____ ZIP: _____

PHONE: (____) - _____

CREDIT CARD INFORMATION - PLEASE CHECK ONE:

VISA: ___ MC: ___ AMEX: ___ DISCOVER: ___

CARD NUMBER: _____

EXPIRATION DATE (MM/YY): ___/___