

#1 Gauge 1:29 SCALE

ART-32400 SERIES STREAMLINE OBSERVATION CAR

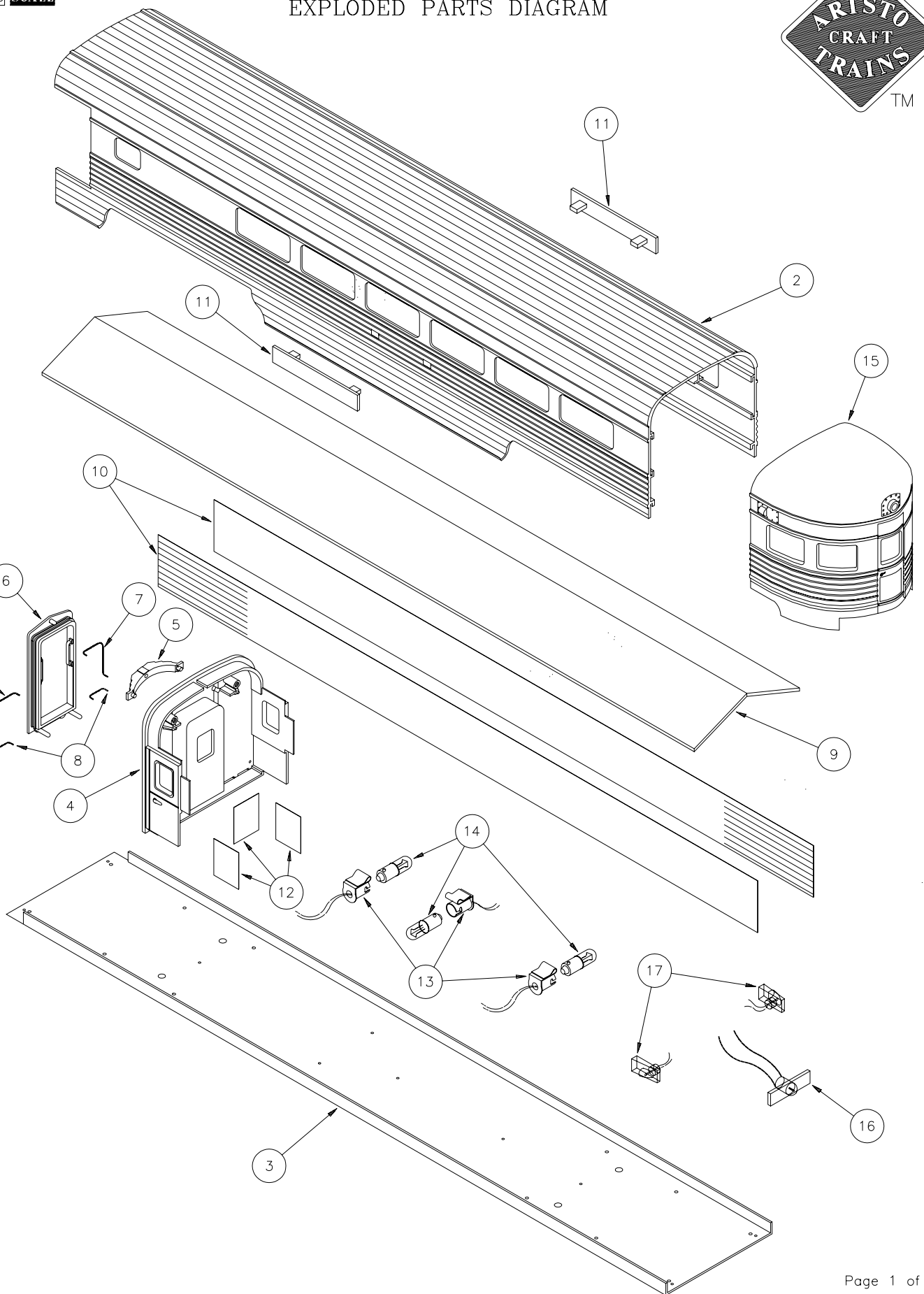
EXPLODED PARTS DIAGRAM



+

+

+

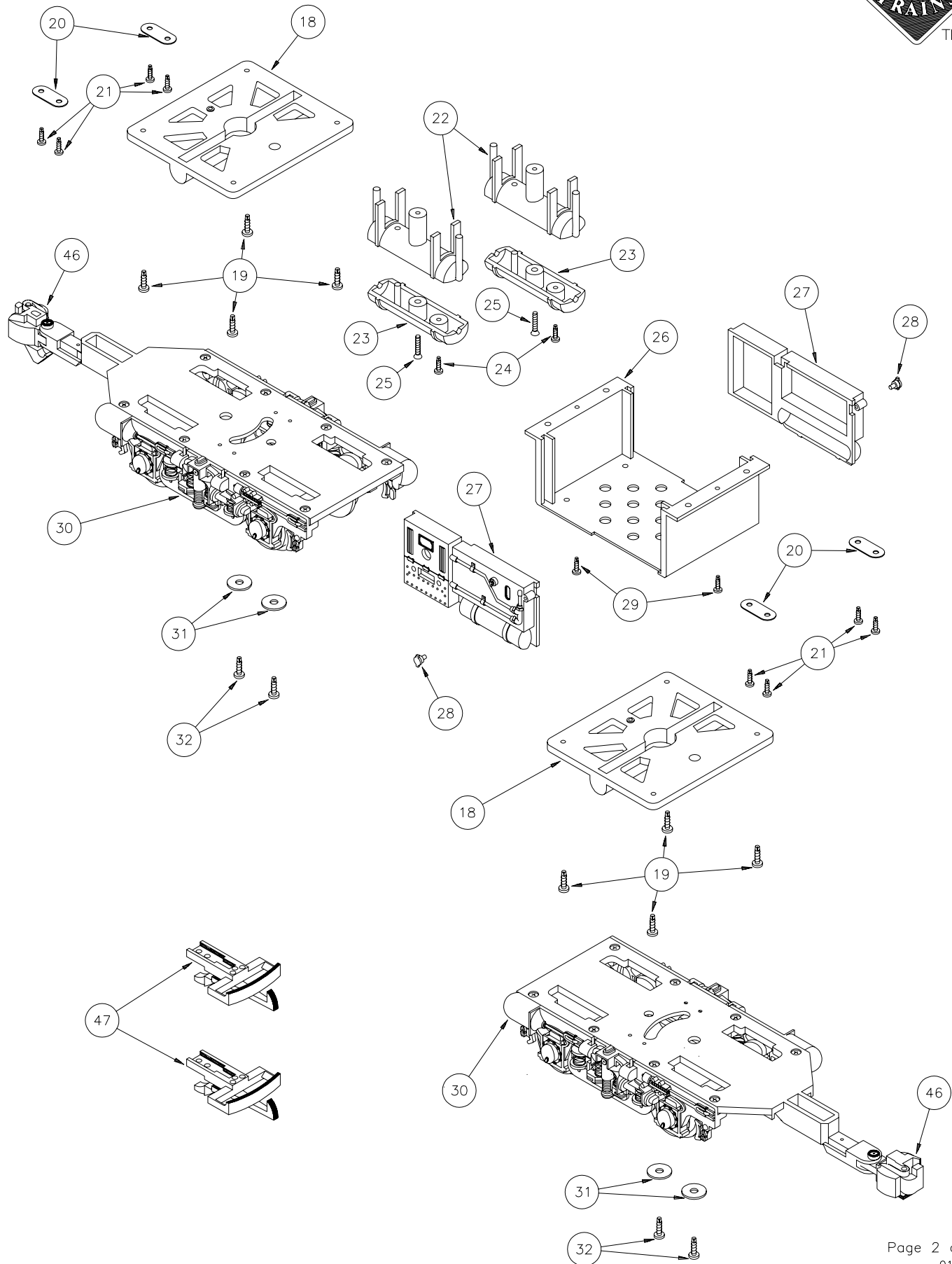


#1
Gauge

1:29
SCALE

ART-32400 SERIES STREAMLINE OBSERVATION CAR

EXPLODED PARTS DIAGRAM



#1
Gauge

1:29
SCALE

ART-32400 SERIES STREAMLINE OBSERVATION CAR PARTS LIST-ORDER FORM



SPECIFY ROADNAME/ART#: _____

Insert
Quantity
Ordered

Part #	Description *	Price	Quantity Ordered
① 32400-01	Instruction Manual	\$ 1.00	
② 32400-02	Car Body	100.00	
③ 32400-03	Chassis	15.00	
④ 32400-04	Car End	10.00	
⑤ 32400-05	Diaphragm Spring	1.00	
⑥ 32400-06	Diaphragm Frame	1.00	
⑦ 32400-07	Upper Grab Iron	.50	
⑧ 32400-08	Lower Grab Iron	.50	
⑨ 32400-09	Light Reflector	2.50	
⑩ 32400-10	Window Glass	2.50	
⑪ 32400-11	Name Board	2.00	
⑫ 32400-12	Car End Windows	1.00	
⑬ 32400-13	Light Bulb Socket	1.00	
⑭ 32400-14	Bulb	.50	
⑮ 32400-15	Car End Observation	25.00	
⑯ 32400-16	Car End Center Light	2.00	
⑰ 32400-17	Car End Marker Lights	1.00	
⑱ 32400-18	Bolster Plate	5.00	
⑲ 32400-19	Bolster Plate Screw	.50	
⑳ 32400-20	Car End Tie Tabs	.50	
㉑ 32400-21	Car End Tie Tab Screw	.50	
㉒ 32400-22	Air Tank Upper Half	1.50	
㉓ 32400-23	Air Tank Lower Half	1.00	
㉔ 32400-24	Air Tank Joining Screw	.50	
㉕ 32400-25	Air Tank Mounting Screw	.50	
㉖ 32400-26	Comfort Package Frame	1.50	
㉗ 32400-27	Comfort Package Side	1.00	
㉘ 32400-28	Comfort Package Side Screw	.50	
㉙ 32400-29	Comfort Package Mounting Screw	.50	
㉚ ART-29117	Truck Streamline Passenger	49.95	
㉛ 32400-31	Washer	.50	
㉜ 32400-32	Truck Mounting Screw	.50	
㉝ 32400-33	Truck Bolster	5.00	
㉞ 32400-34	Bolster To Sideframe Screw	.50	
㉟ 32400-35	Sideframe	5.00	
㊱ ART-29119	Lower Spring Holder	5.00	
㊲ 32400-37	Spring	.50	
㊳ 32400-38	Bushing Assembly	3.00	
㊴ 32400-39	Bearing Hub	1.00	
㊵ 32400-40	Bushing Assembly Screw	.50	
㊶ 32400-41	Tortion Bar Assembly	2.50	
㊷ 32400-42	Tortion Bar Assembly Screw	.50	
㊸ 32400-43	Bolster To Sideframe Stiffener	1.50	
㊹ 32400-44	Bolster To Sideframe Stiffner Screw	.50	
㊺ ART-29111B	Metal Wheel Set	19.95	
㊻ ART-29200	Knuckle Coupler Set	7.95	
㊼ 32400-99	Parts List-Order Form	No Charge	

* one piece unless otherwise noted

RETURN THIS FORM WITH YOUR ORDER
A REPLACEMENT FORM WILL BE SENT WITH YOUR ORDER

NOTE: When ordering replacement parts or a repair request, please refer to proper 5 or 7 digit number listed. XX- refers to last two digits of roadname ART passenger car number when part is painted to match, i.e. ART-32402 BALTIMORE & OHIO. 32402-11 would then refer to NAME BOARDS for BALTIMORE & OHIO Streamline Passenger Coach ART-32402. If part is same FOR ALL STREAMLINE PASSENGER COACHES, 32400-plus 2 digit number would be used to denote specific part, i.e. 32400-18 BOLSTER PLATE used on ALL STREAMLINE PASSENGER COACHES regardless of railroad name. When part is same FOR ALL STREAMLINE PASSENGER CARS, 29200 (or other #-plus 2 digit number) would be used to denote specific part regardless of roadname/car type. Please specify roadname/ART# on line above part# list and always when ordering parts by phone/fax/letter.

Unpainted/painted part(s) will be substituted if the painted to match part(s) ordered are not available.
In addition to Price Each shown please enclose...
\$3.50 shipping/handling if part order is less than \$10.00 or
\$5.00 shipping/handling if part order is \$10.00 or more.

This is for part order only. Not WARRANTY order.
Include proper payment for parts plus shipping/handling with your (USA Bank Account Only) check/money order payable in US Dollars (\$) to: Polk's Hobbies. Please DO NOT SEND CASH. Sorry no C.O.D.'s for parts.

New Jersey residents add 6% NJ State Sales Tax.
Be Sure to include your name, street address (no Post Office Box please), city, state (or province), country (if outside USA), and postal zip code, along with daytime phone number including Area Code, so that you may be contacted if necessary.

Mail order form and payment to:
ARISTO-CRAFT TRAINS/Polk's Modelcraft Hobbies, Inc.
346 Bergen Avenue
Jersey City, NJ 07304 USA
Allow 4-6 weeks for processing and delivery.

PLEASE PRINT CLEARLY
NAME: _____
ADDRESS _____
CITY: _____ STATE: _____ ZIP _____
PHONE: (_____) _____

