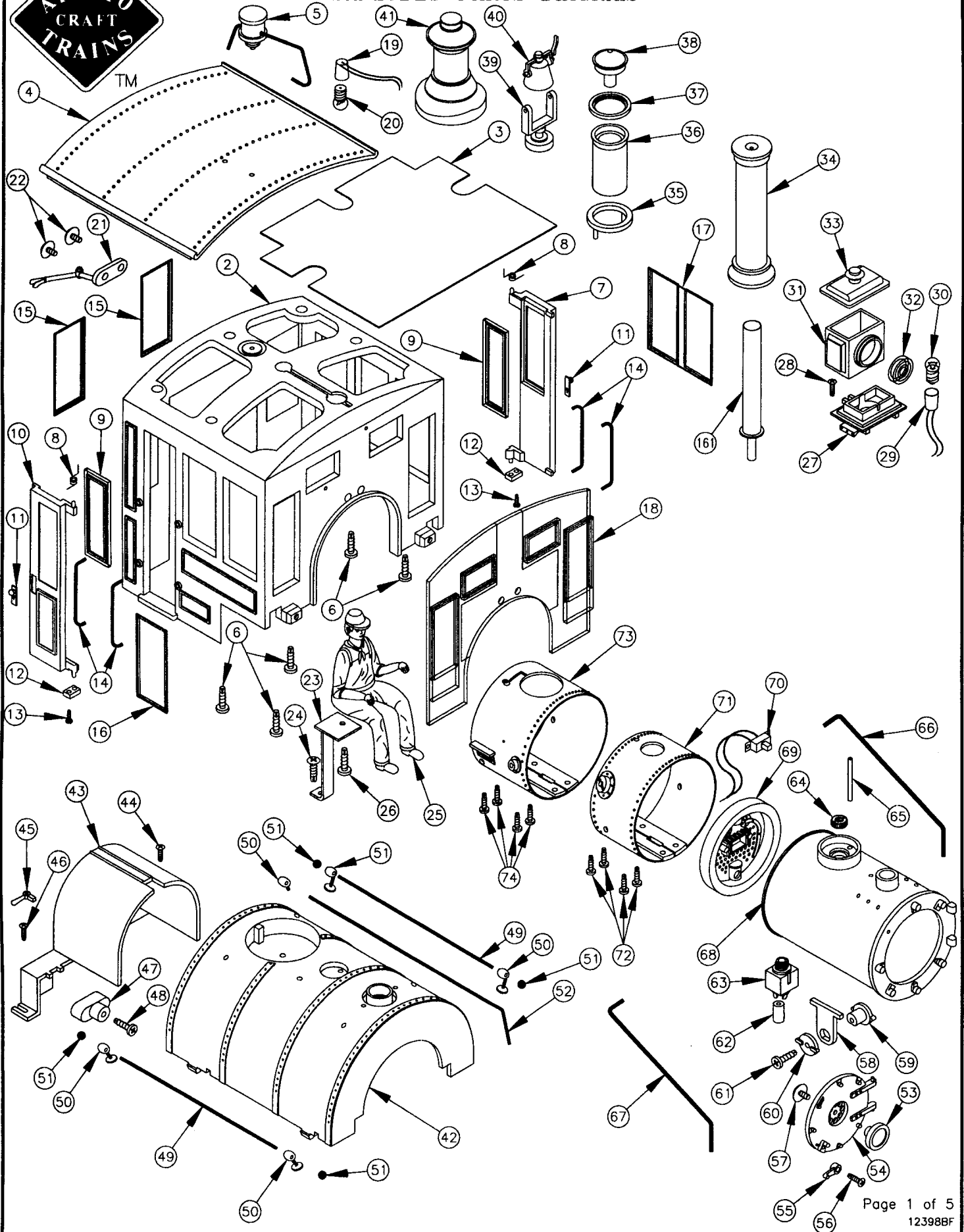




# ART-21000 SERIES ROGERS 2-4-2 LOCOMOTIVE

## EXPLODED PARTS DIAGRAM

#1 Gauge 1:29 SCALE

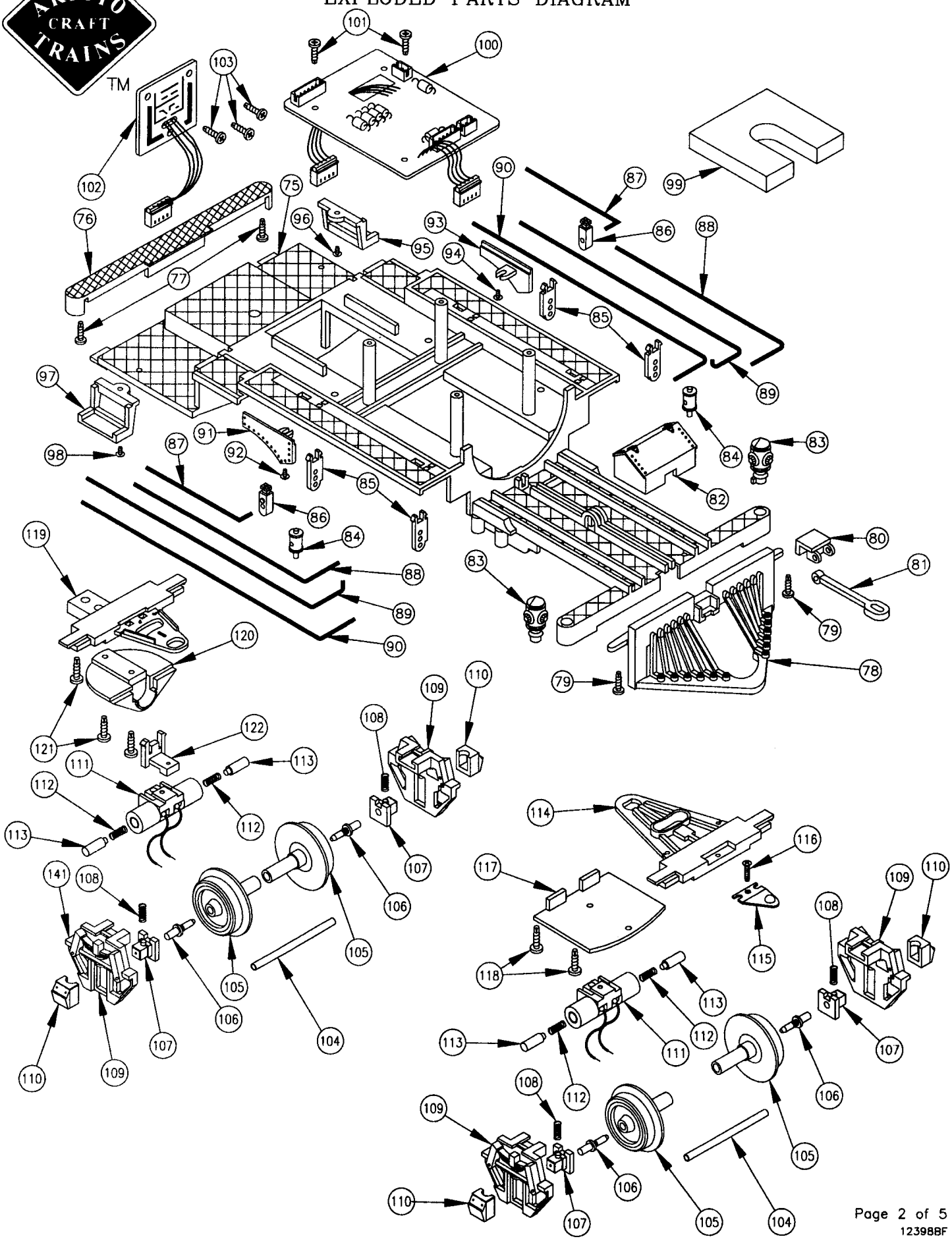




# ART-21000 SERIES ROGERS 2-4-2 LOCOMOTIVE

## EXPLODED PARTS DIAGRAM

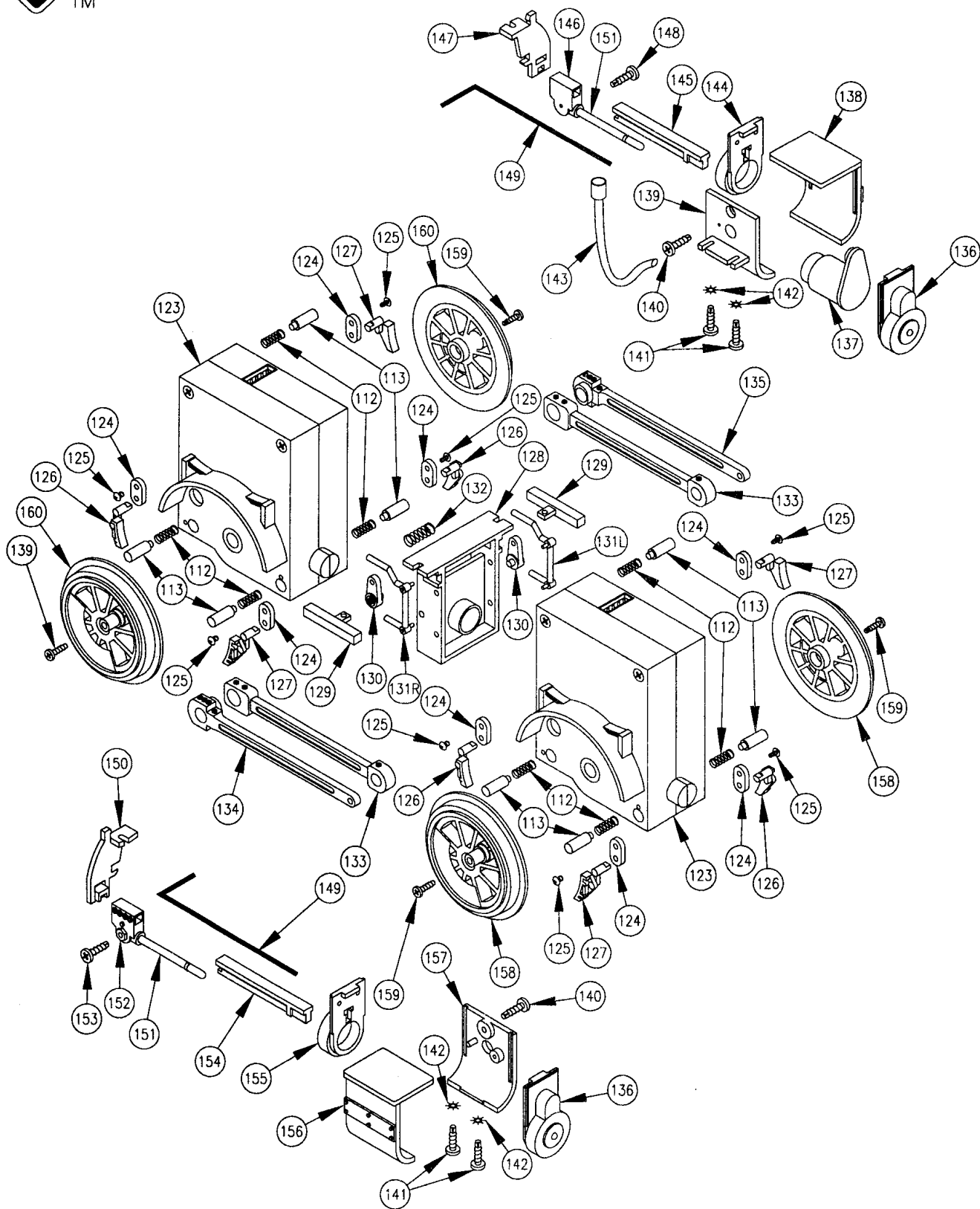
**1** Gauge **1:29** SCALE





# ART-21000 SERIES ROGERS 2-4-2 LOCOMOTIVE EXPLODED PARTS DIAGRAM

#1 Gauge 1:29 SCALE



# ART-21000 SERIES ROGERS 2-4-2 LOCOMOTIVE

## PARTS LIST-ORDER FORM



SPECIFY ROADNAME/ART#: \_\_\_\_\_ Insert Quantity Ordered

Part #	Description *	Price	Quantity Ordered
①	21000-01	Instruction Manual	
②	21000-02	Cab Frame	
③	21000-03	Reflective Roof Liner	
④	21000-04	Cab Roof	
⑤	21000-05	Whistle	
⑥	21000-06	Cab Mounting Screw	
⑦	21000-07	R.H. Cab Door	
⑧	21000-08	Door Spring	
⑨	21000-09	Door Window	
⑩	21000-10	L.H. Cab Door	
⑪	21000-11	Door Knob	
⑫	21000-12	Door Bottom Hinge	
⑬	21000-13	Hinge Retaining Screw	
⑭	21000-14	Cab Grab Irons	
⑮	21000-15	Cab Rear Windows	
⑯	21000-16	Engineers Window	
⑰	21000-17	Fireman's Window	
⑱	21000-18	Cab Forward Windows	
⑲	ART-29503	Light Bulb Socket	
⑳	ART-29502	Light Bulb	
㉑	21000-21	Throttle	
㉒	21000-22	Throttle Retaining Screws	
㉓	21000-23	Engineer's Seat	
㉔	21000-24	Seat Retaining Screw	
㉕	ART-60082	Rogers Engineer	
㉖	21000-26	Engineer Retainer Screw	
㉗	21000-27	Head Light Base	
㉘	21000-28	Head Light Retaining Screw	
㉙	ART-29503	Light Bulb Socket	
㉚	ART-29502	Light Bulb	
㉛	21000-31	Head Light Housing	
㉜	21000-32	Head Light Lens	
㉝	21000-33	Head Light Top	
㉞	21000-34	Smoke Stack	
㉟	21000-35	Sand Dome Base	
㊱	21000-36	Sand Dome Pipe	
㊲	21000-37	Sand Dome Ring	
㊳	21000-38	Sand Dome Cap	
㊴	21000-39	Bell Harp	
㊵	21000-40	Bell	
㊶	21000-41	Steam Dome	
㊷	21000-42	Saddle Tank	
㊸	21000-43	Fire Box	
㊹	21000-44	Fire Box Retaining Screw	
㊺	21000-45	Brake Handle	
㊻	21000-46	Fire Box Retaining Screw	
㊼	21000-47	Saddle Tank Retainer	
㊽	21000-48	Saddle Tank Retainer Screw	
㊾	21000-49	Saddle Tank Hank Rail	
㊿	21000-50	Hand Rail Stautions	
1	21000-51	Hand Rail End	
2	21000-52	Water Line	
3	21000-53	Builders Plate and Number Board	
4	21000-54	Smoke Box Door	
5	21000-55	Door Latch	
6	21000-56	Door Latch Retainer Screw	
7	21000-57	Builders Plate Retaining Screw	
8	21000-58	Smoke Box Forward Mount	
9	21000-59	Mount Retainer	
0	21000-60	Retainer Keeper	
1	21000-61	Keeper Screw	
2	21000-62	Air Pump Hose to Blow Pipe Union	
3	21000-63	Smoke Unit Adapter	
4	21000-64	Smoke Unit Retaining Nut	
5	21000-65	Blow Pipe	
6	21000-66	Pilot L.H. Hand Rail	
7	21000-67	Pilot R.H. Hand Rail	
8	21000-68	Smoke Box	
9	21000-69	Flue Pipe Ends	
0	21000-70	Smoke Unit On Off Switch	
1	21000-71	Forward Smoke Box Sleeve	
2	21000-72	Sleeve Retaining Screw	
3	21000-73	Rear Smoke Box Sleeve	
4	21000-74	Sleeve Retaining Screw	
5	21000-75	Chassis	
6	21000-76	Rear Step	
7	21000-77	Step Retaining Screw	
8	21000-78	Cow Catcher	
9	21000-79	Cow Catcher Retaining Screw	
0	21000-80	Draw Bar Pivot	
1	21000-81	Draw Bar	
2	21000-82	Tool Box	
3	ART-29501	Forward Marker Lights	
4	21000-84	Steam Swivel	
5	21000-85	Pipe Clamp	
6	21000-86	Single Pipe Union	
7	21000-87	Short Pipe	
8	ART-29114	Medium Pipe	
9	21000-89	Tertiary Pipe	
0	21000-90	Long Pipe	
1	21000-91	R.H. Fender	

Part #	Description *	Price	Quantity
92	21000-92	R.H. Fender Retaining Screw	
93	21000-93	L.H. Fender	
94	21000-94	L.H. Fender Retaining Screw	
95	21000-95	L.H. Cab Step	
96	21000-96	Cab Step Retaining Screw	
97	21000-97	R.H. Cab Step	
98	21000-98	Cab Step Retaining Screw	
99	21000-99	Weight Stack	
100	21000-100	P.C. Board	
101	21000-101	P.C. Board Mounting Screw	
102	21000-102	Main Switch Panel	
103	21000-103	Panel Mounting Screw	
104	ART29105	Axle Support Tube	
105	ART29105	Wheel	
106	ART29105	Spindle	
107	21000-107	Spindle Hub	
108	21000-108	Spindle Hub Spring	
109	21000-109	Spindle Hub Side Frame	
110	21000-110	Journal Box	
111	ART-29402	Brush and Holder Set	
112	21000-112	Spring	
113	21000-113	Brush (pair)	
114	21000-114	Pilot Truck Main Mount	
115	21000-115	Main Mount Slide	
116	21000-116	Slide Mount Screw	
117	21000-117	Main Mount Cover	
118	21000-118	Cover Screw	
119	21000-119	Trailing Truck Main Mount	
120	21000-120	Trailing Truck Main Mount Cover	
121	21000-121	Cover Screw	
122	21000-122	Brush Holder Mount	
123	ART-29400	Motor Block	
124	21000-124	Brake Shoe Mount	
125	21000-125	Brake Shoe Mount Retaining Screw	
126	21000-126	L.H. Brake Shoe	
127	21000-127	R.H. Brake Shoe	
128	21000-128	Motor Block Equalizer	
129	21000-129	Tortion Bar	
130	21000-130	Tortion Links	
131R	21000-131R	Tortion Carriage Right	
131L	21000-131L	Tortion Carriage Left	
132	21000-132	Equalizer Spring	
133	21000-133	Connecting Rod	
134	21000-134	R.H. Main Drive Rod	
135	21000-135	L.H. Main Drive Rod	
136	21000-136	Steam Chest Front	
137	21000-137	Smoke Pump	
138	21000-138	L.H. Steam Chest Outer Side	
139	21000-139	L.H. Steam Chest Inner Side	
140	21000-140	Steam Chest Retaining Screw	
141	21000-141	Steam Chest Lower Retaining Screw	
142	21000-142	Washers	
143	21000-143	Smoke Hose	
144	21000-144	L.H. Steam Chest Rear	
145	21000-145	L.H. Cross Head Slide	
146	21000-146	L.H. Cross Head	
147	21000-147	L.H. Cross Head Rear Mount	
148	21000-148	Cross Head, Piston Rod Retaining Screw	
149	21000-149	Cylinder Relief Line	
150	21000-150	R.H. Cross Head Rear Mount	
151	21000-151	R.H. Cross Head	
152	21000-152	Piston Rod	
153	21000-153	Cross Head, Piston Rod Retaining Screw	
154	21000-154	R.H. Cross Head Slide	
155	21000-155	R.H. Steam Chest Rear	
156	21000-156	R.H. Steam Chest Outer Side	
157	21000-157	R.H. Steam Chest Inner Side	
158	21000-158	Forward Drive Wheels	
159	21000-159	Wheel Retaining Screw	
160	21000-160	Rear Drive Wheels	
161	ART-29306	Smoke Unit	
	29101-99	Plastic Loop/Hook Couplers (2 pcs.)	
	21000-99	Parts List-Order Form	

\*one piece unless otherwise noted



# ART-21000 SERIES ROGERS 2-4-2 LOCOMOTIVE PARTS LIST-ORDER FORM



RETURN THIS FORM WITH YOUR ORDER  
A REPLACEMENT FORM WILL BE SENT WITH YOUR ORDER

NOTE: When ordering replacement parts or repair request,  
please refer to proper 5 or 7 digit number listed.

XX refers to last two digits of roadname ART freight car number  
when part is painted to match, i.e. ART-21102 GREAT  
NORTHERN. 21102-02 would then refer to CAB FRAME for GREAT  
NORTHERN ROGERS 2-4-2 LOCOMOTIVE ART-21102. If part is same  
FOR ROGERS 2-4-2 LOCOMOTIVES, 21000-plus 2 digit number  
would be used to denote specific part, i.e. 21000-34 SMOKE STACK.  
When part is same FOR ALL LOCOMOTIVES and OTHER FREIGHT CARS,  
29200 (or other #-plus 2 digit number) would be used to denote  
specific part regardless of roadname/car type. Please specify  
roadname/ART# on line above part# list.

Unpainted/painted part(s) will be substituted if the  
painted to match part(s) ordered are not available.

In addition to Price Each shown please enclose...  
\$5.00 shipping/handling if part order is less than \$10.00 or  
\$10.00 shipping/handling if part order is \$10.00 or more.  
This is for part order only. Not WARRANTY order.

Include proper payment for parts plus shipping/handling  
with your (USA Bank Account Only) check/money order  
payable in US Dollars (\$) to: Polk's Hobbies. Please  
DO NOT SEND CASH. Sorry no C.O.D.'s for parts.

New Jersey residents add 6% NJ State Sales Tax.

Be Sure to include your name, street address (no Post  
Office Box please), city, state (or province), country  
(if outside USA), and postal zip code, along with daytime  
phone number including Area Code, so that you may be  
contacted if necessary.

Mail order form and payment to:

ARISTO-CRAFT TRAINS/Polk's Modelcraft Hobbies, Inc.  
698 South 21st Street  
Irvington, NJ 07111-4109 USA

Allow 4-6 weeks for processing and delivery.

PLEASE PRINT CLEARLY

NAME: \_\_\_\_\_

ADDRESS \_\_\_\_\_

CITY: \_\_\_\_\_ STATE: \_\_\_\_\_ ZIP \_\_\_\_\_

PHONE:(\_\_\_\_\_) - \_\_\_\_\_ - \_\_\_\_\_