



ART-83000 SERIES RAILBUS

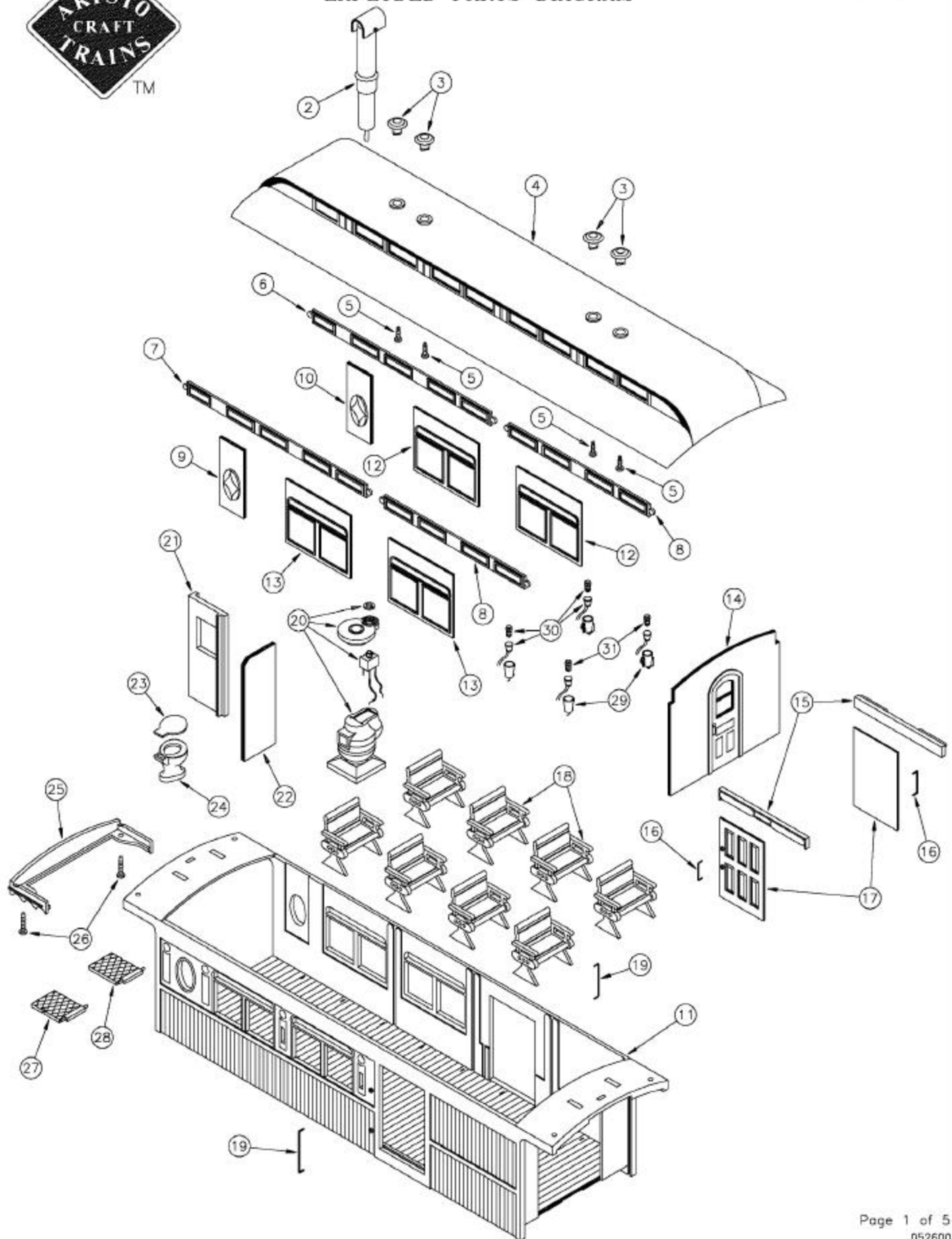
EXPLODED PARTS DIAGRAM

#1
Gauge

+

+

+



ART-83000 SERIES RAILBUS

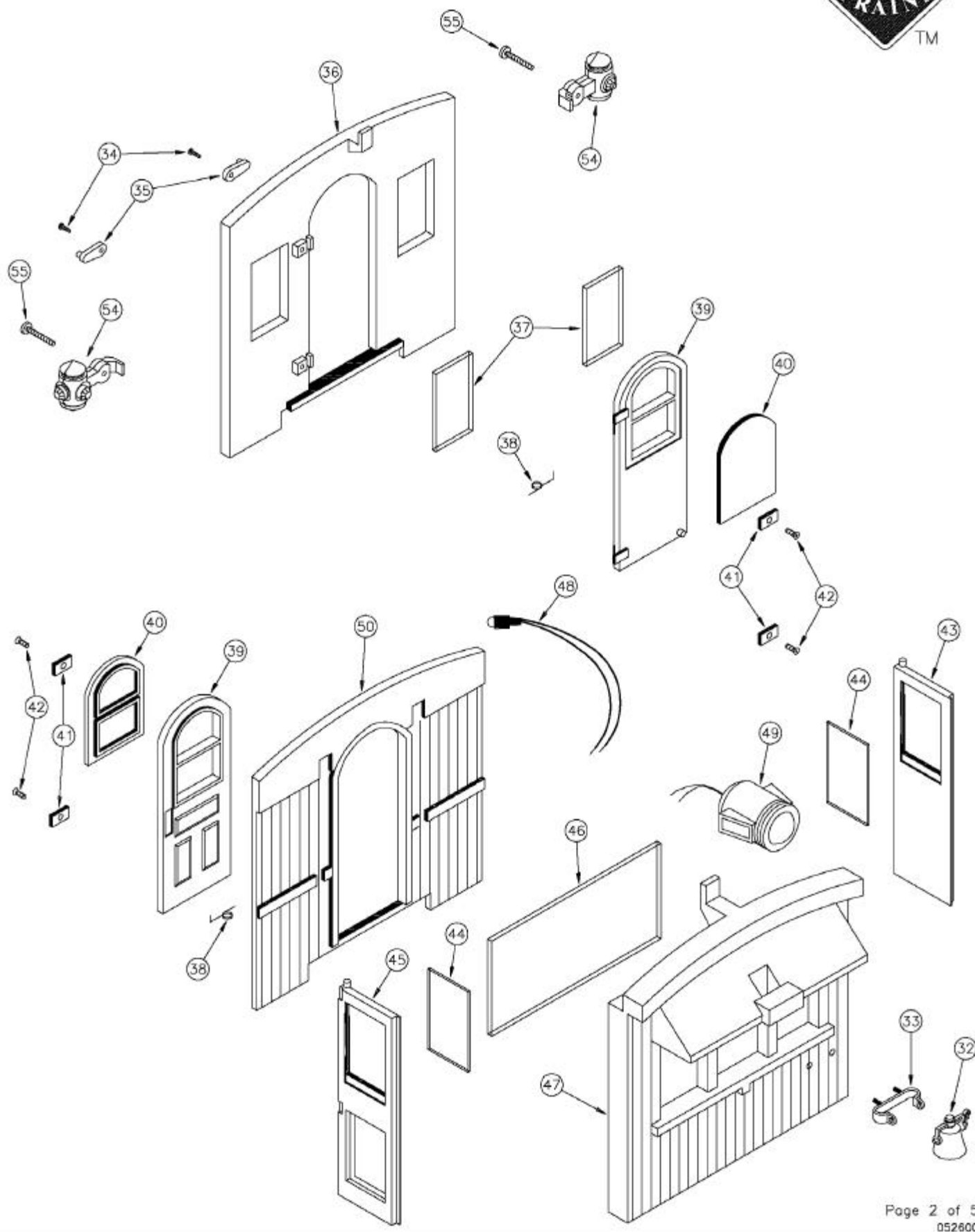
EXPLODED PARTS DIAGRAM



+

+

+

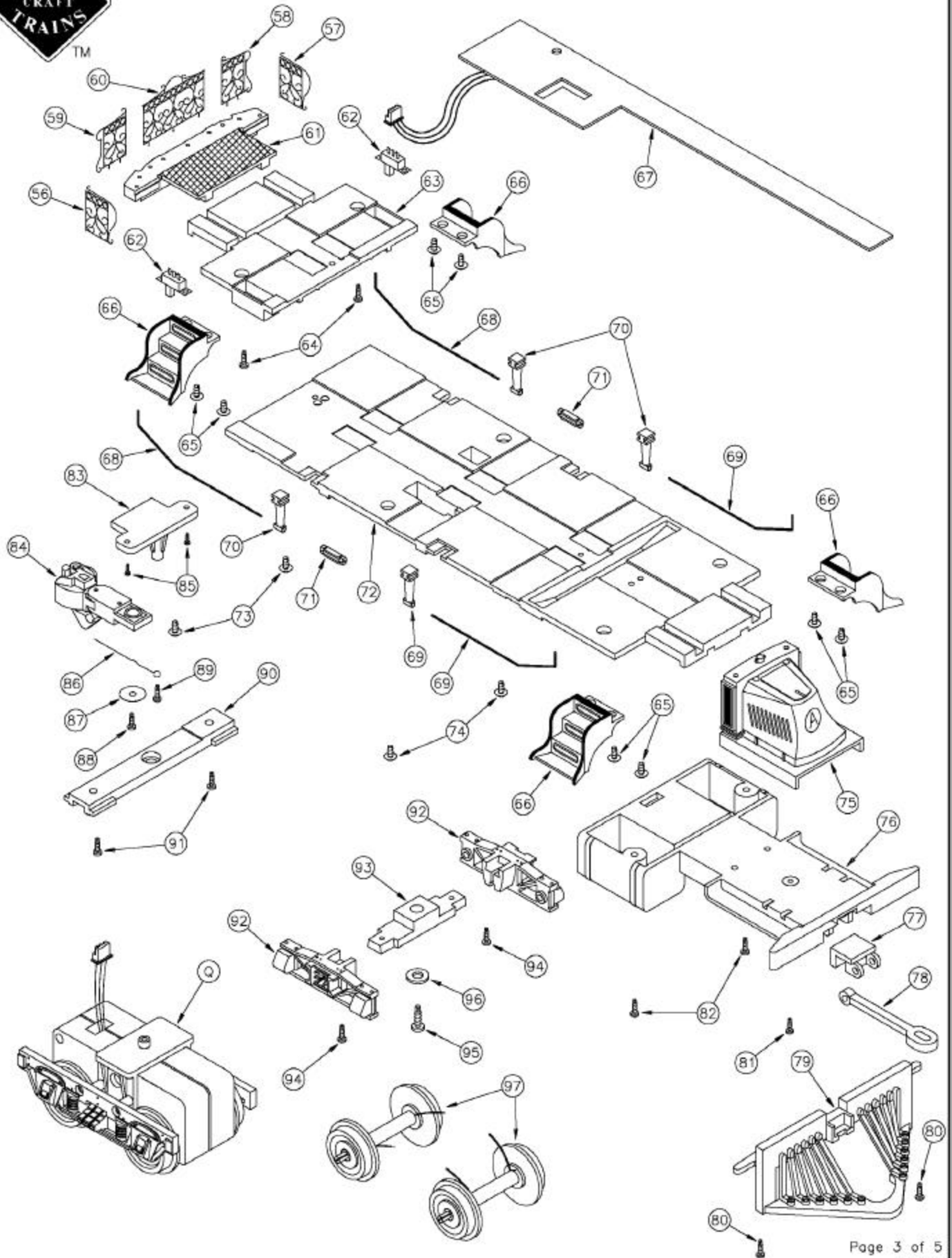




ART-83000 SERIES RAILBUS

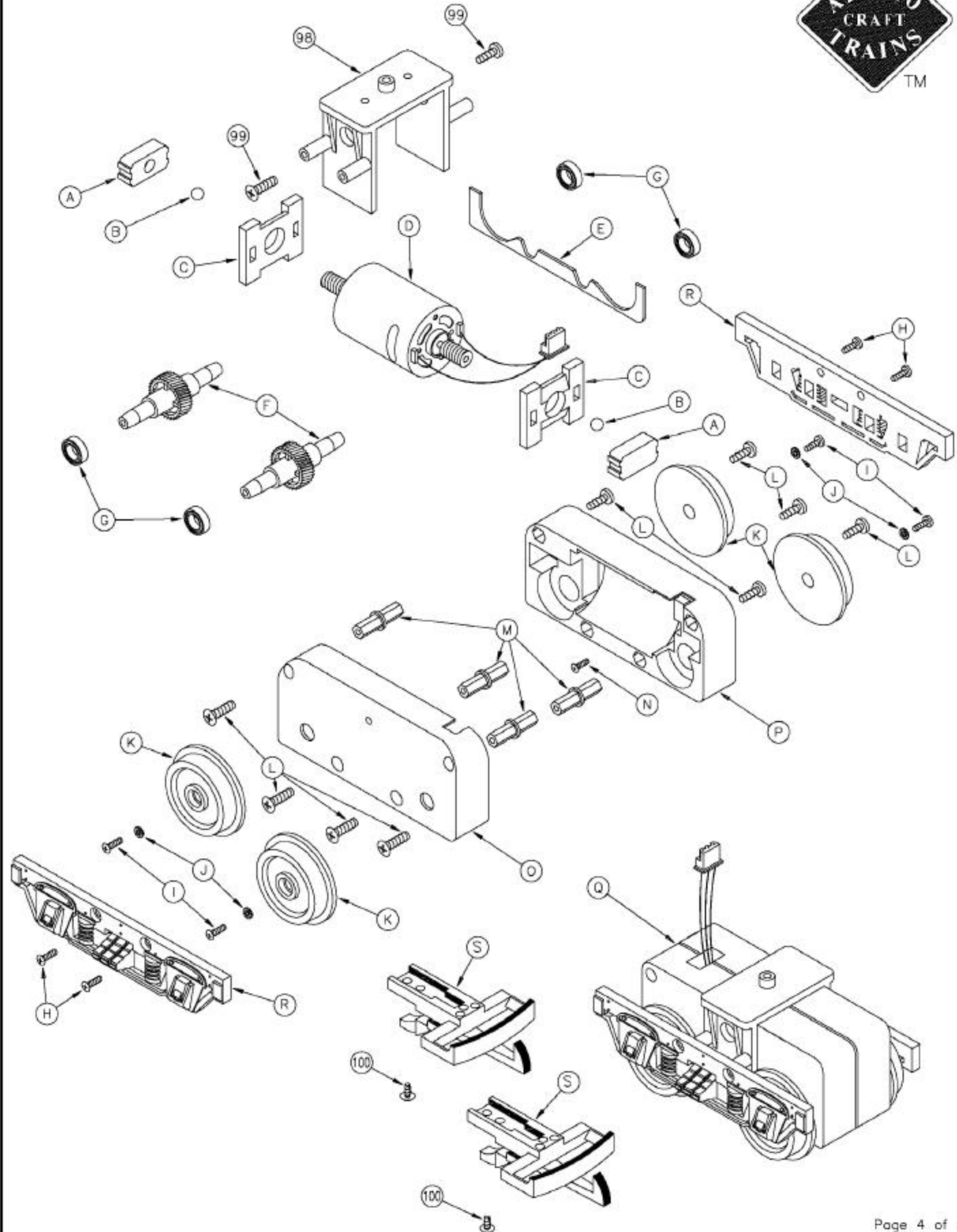
EXPLODED PARTS DIAGRAM

#1
Gauge



ART-83000 SERIES RAILBUS

EXPLODED PARTS DIAGRAM



ART-83000 SERIES RAILBUS

PARTS LIST-ORDER FORM



#1
Gauge

SPECIFY ROADNAME/ART#:

Part #	Description *	Price	Insert Quantity Ordered
83000-01	Instruction Manual	\$ 1.00	
ART-29304	Smoke Unit	14.50	
312XX-02	Roof Vent	1.00	
31200-03	Roof	15.00	
31200-05	Roof Vent Screw	.25	
31200-04	Window Lights (5 pane) Right	2.00	
31200-04	Window Lights (5 pane) Left	2.00	
31200-04A	Window Lights (4 pane)	2.00	
31200-06	Oval Window Left	2.00	
31200-06	Oval Window Right	2.00	
311XX-09	Car Body	15.00	
31200-07	Car Windows Right	3.00	
31200-07	Car Windows Left	3.00	
31100-52	Interior Divider	3.00	
31100-56	Baggage Door Side	1.00	
31100-54	Door Grabiron	.25	
31100-53	Baggage Door	2.50	
ART-29700	Chair (6 pcs.)	6.00	
31100-55	Car Grabiron	.50	
83000-20	Stave	8.50	
31200-18	Rest Room Door	2.00	
31200-17	Rest Room Wall	1.00	
31200-19	Commode Lid	1.00	
31200-20	Commode	1.00	
31200-56	Awning	2.00	
31200-10	Screw	.25	
31200-58	Left Step Cover	1.00	
31200-58	Right Step Cover	1.00	
31200-16	Lamp Holder (ea.)	1.00	
ART-29503	Socket Set W/Bulb (Bag of 2)	6.00	
ART-29502	Light Bulb (Bag of 10)	10.00	
21400-13	Bell	1.00	
21400-14	Bell Bracket	2.00	
31200-59	Step Cover Latch Screw	.25	
31200-60	Step Cover Latch	.50	
31200-54	Observation End	7.00	
83000-37	Observation Window	1.00	
31200-30	Door Spring	1.00	
312XX-28	Coach End Door	2.00	
31200-29	Coach End Door Window	1.00	
31200-31	Door Pivot Block	.50	
31200-32	Door Pivot Block Screw	.25	
83000-43	Left Side Cab Door	2.00	
83000-44	Side Door Window	1.00	
83000-45	Right Side Cab Door	2.00	
83000-46	Front Window	2.00	
83000-47	Front Wall	10.00	
83000-48	Cab Light Assembly	1.00	
21400-107	Headlight Assembly	3.50	
83000-50	Interior Divider Wall	5.00	
	Sold as Complete Marker Lights		
ART-29504	Marker Lights (pair)	4.00	
31200-53	Marker Light Mounting Screw (pair)	.25	
31200-65	Left Hand Gate	3.00	
31200-61	Right Hand Gate	3.00	
31200-62	Right Platform Railing	3.00	
31200-64	Left Platform Railing	3.00	
31200-63	Center Platform Railing	4.00	
31200-57	End Platform	2.00	
31200-12	Accessory Switch	2.00	
83000-63	Chassis Extension	5.00	
83000-64	Screw	.25	
31200-45	Step Screw	.25	
31200-44	Step	2.00	
83000-67	Circuit Board	20.00	
31200-42	Rear Truss Rod	1.00	
31200-42	Front Truss Rod	1.00	
31200-41	Truss Rod Post	2.00	
31200-43	Turnbuckle	1.00	
83000-72	Chassis	10.00	
31200-46	Screw	.25	
31200-46	Screw	.25	
83000-75	Engine Hood	5.00	
83000-76	Pilot Chassis	10.00	
21000-80	Draw Bar Pivot	2.00	
21000-81	Draw Bar	1.00	
21000-78	Cow Catcher	3.50	
21000-79	Cow Catcher Retaining Screw	.25	
83000-81	Screw	.25	
83000-82	Screw	.25	
83000-83	Coupler Mount	4.00	
ART-29200	Knuckle Coupler (pair)	8.00	
83000-85	Screw	.25	
83000-86	Coupler Centering Spring	.50	

83000-87	Washer	.50
31200-50	Screw	.25
83000-89	Screw	.25
83000-90	Rear Bolster	3.00
83000-91	Screw	.25
83000-92	Front Truck Side Frame	4.00
83000-93	Front Truck Bolster	3.00
83000-94	Screw	.25
83000-95	Screw	.25
83000-96	Washer	.50
83000-97	Ball Bearing Wheelset	10.00
83000-98	A Frame	5.00
83000-99	Screw	.25
83000-100	Screw	.25
29358-16	Motor Mount Cap	2.00
29358-01	Motor Bearing	1.00
29358-02	Motor Mounting Bracket	4.00
29358-03	Motor	15.00
29358-04	Frame Spacer	5.00
29358-05	Geared Axle	5.00
29358-06	Wheel Bearing	2.00
29358-07	Side Frame Mounting Screw	.25
29358-08	Wheel Mounting Screw	.25
29358-09	Wheel Mounting Lock Washer	.25
29358-10	Wheel	5.00
29358-11	Motor Block Frame Screw	.25
29358-12	Spacer	1.00
29358-13	Internal Screw	.25
29358-14	Motor Block Frame (L.H.)	10.00
29358-15	Motor Block Frame (R.H.)	10.00
ART-29358	Railbus Motor Block	55.00
29358-17	Side Frame	5.00
83000-118	Plastic Loop/Hook Couplers (2 pcs.)	No Charge

*one piece unless otherwise noted

PLEASE RETURN THIS FORM WITH YOUR ORDER
A REPLACEMENT FORM WILL BE SENT WITH YOUR ORDER

NOTE: When ordering replacement parts or repair request, please refer to proper 5 or 7 digit part number listed.

XX refers to last two digits of roadname ART freight car number when part is painted to match, i.e. ART-83000 B & O. 83000-09 would then refer to RAILBUS BODY for B & O SIERRA RAILBUS ART-83000. If part is same FOR ALL RAILBUSES 83000- plus 2 digit number would be used to denote specific part, i.e. 83000-71 CHASSIS. When part is the same FOR ALL RAILBUSES, 29200 (or other #-plus 2 digit number) would be used to denote specific part, regardless of roadname/car type. Please specify roadname/ART# on line above part# list.

UNPAINTED/PAINTED PART(S) WILL BE SUBSTITUTED IF THE PAINTED TO MATCH PART(S) ORDERED ARE NOT AVAILABLE.

In addition to Price Each shown please enclose...
\$2.50 shipping/handling if part order is less than \$10.00 or
\$5.00 shipping/handling if part order is \$10.00 or more.
This is for normal part order only. WARRANTY order does not apply.
Include proper payment for parts plus shipping/handling with your (USA Bank Account Only) check/money order payable in US Dollars (\$) to: Polk's Model Craft Hobbies Inc. PLEASE DO NOT SEND CASH. Sorry no C.O.D.'s for parts.

New Jersey residents add 6% NJ State Sales Tax.
Be Sure to include your name, street address (UPS will not deliver to P.O. Boxes), city, state (or province), country (if outside USA), and postal zip code, along with daytime phone number including area code, so that you may be contacted if necessary.

Mail order form and payment to:
ARISTO-CRAFT TRAINS/Polk's Modelcraft Hobbies, Inc.
698 South 21st Street
Irvington, NJ 07111-4109 USA

Allow 4-6 weeks for processing and delivery.

PLEASE PRINT CLEARLY

NAME: _____
ADDRESS: _____
CITY: _____ STATE: _____ ZIP: _____
PHONE: (_____) - _____ - _____