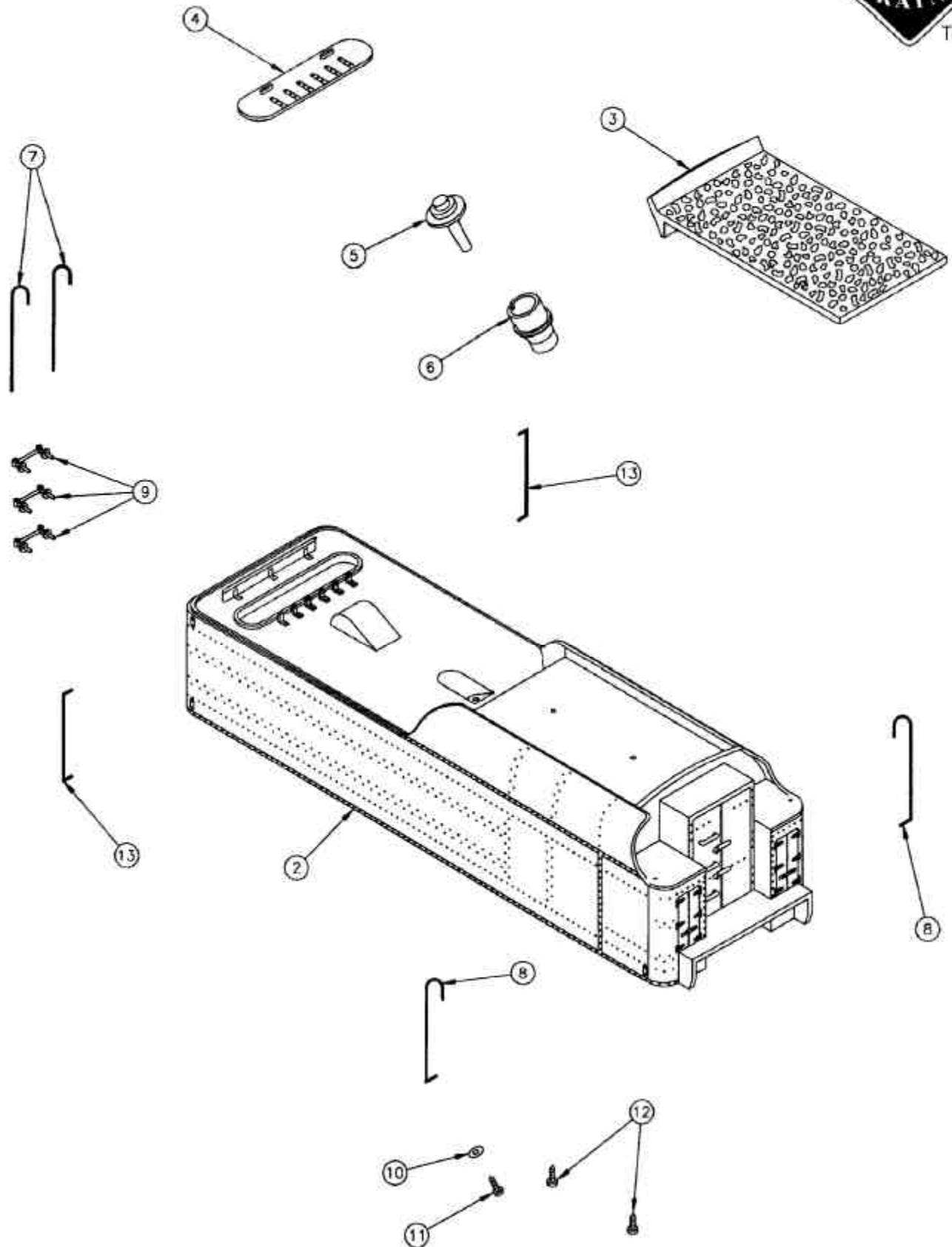


ART-21800 SERIES PACIFIC 4-6-2 STEAM LOCOMOTIVE TENDER

ASSEMBLY INSTRUCTIONS

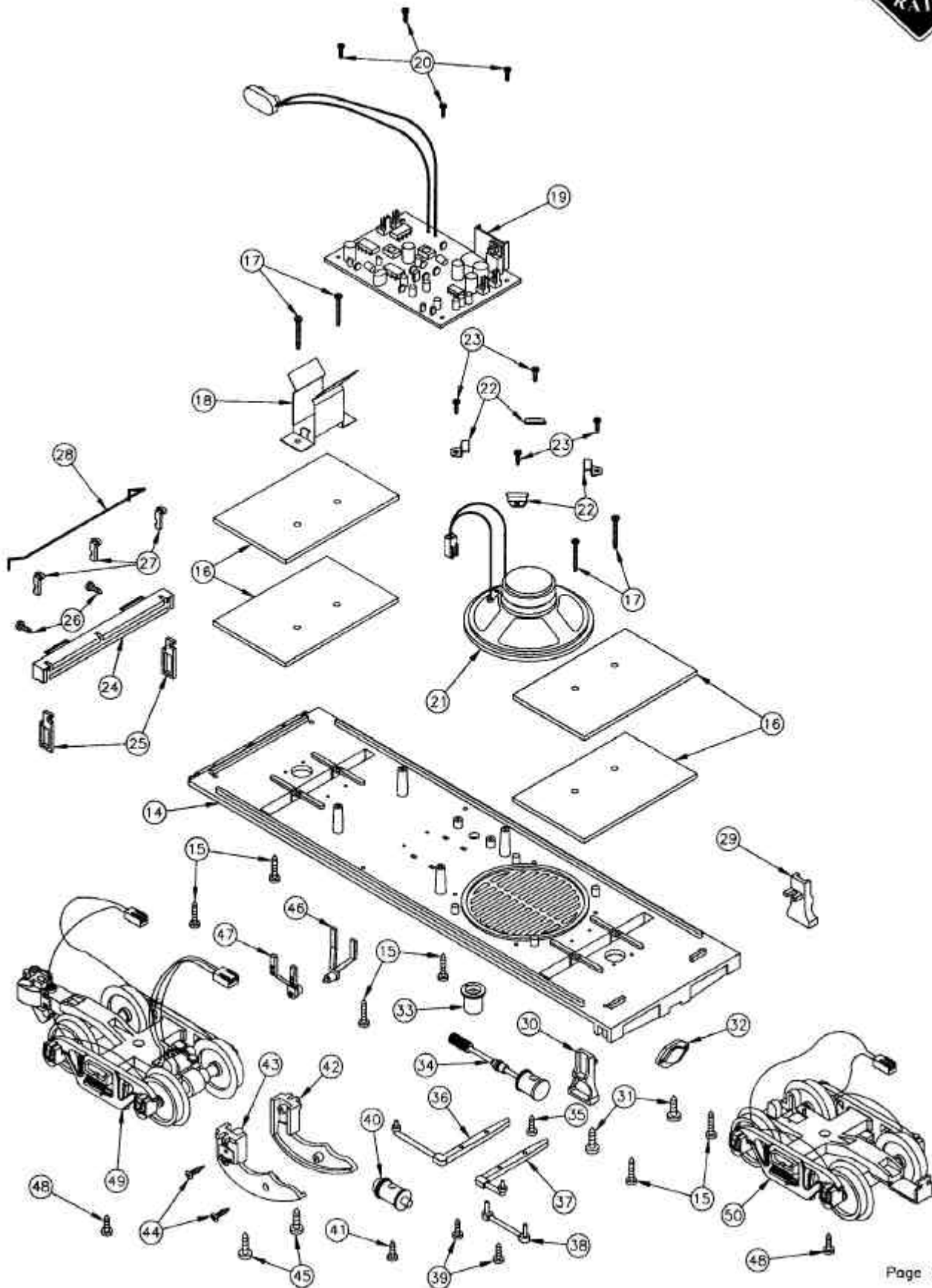


#1
Gauge

1:29
SCALE

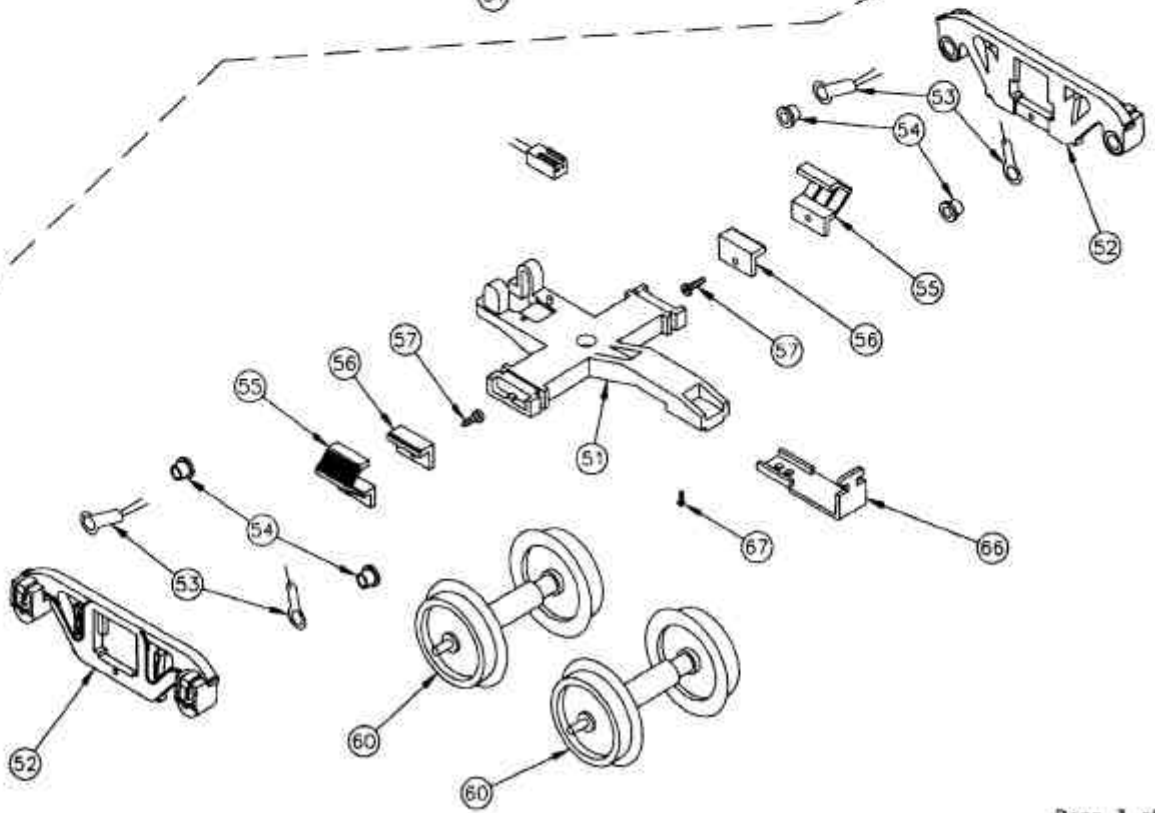
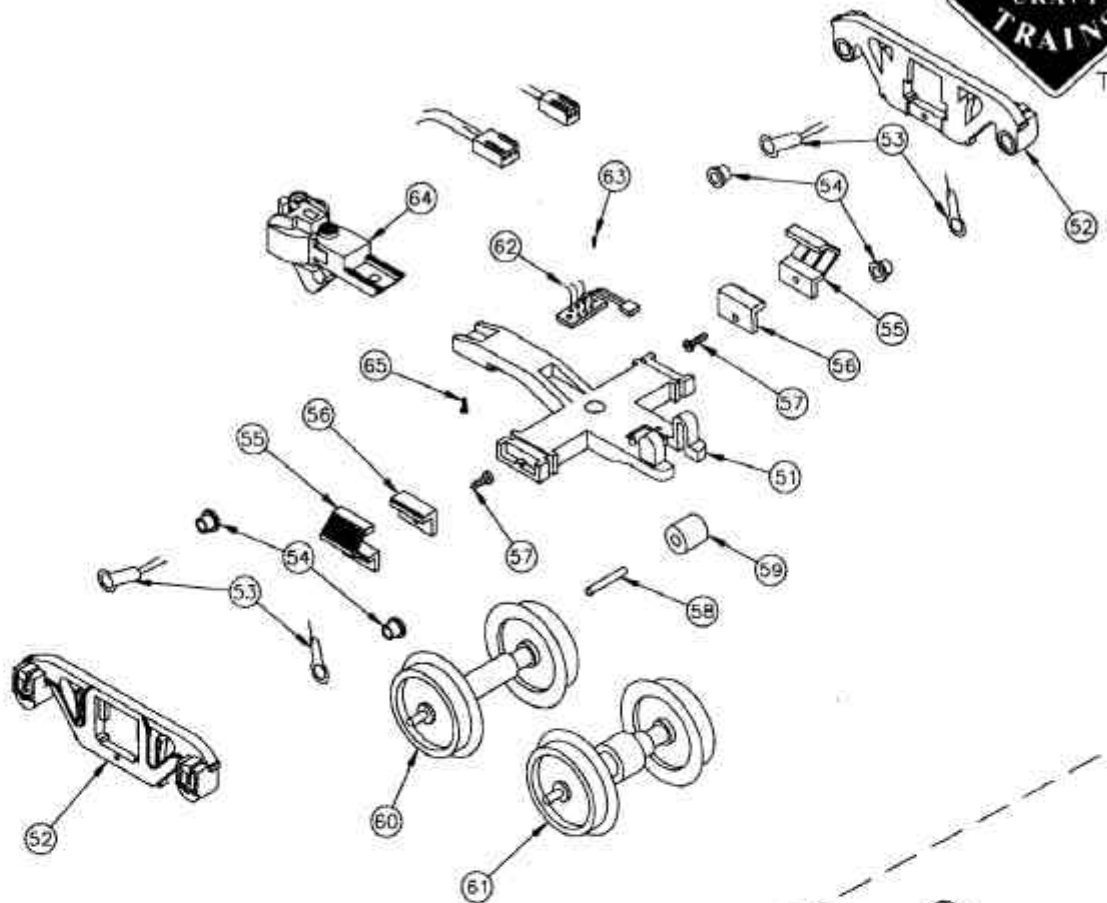
ART-21800 SERIES PACIFIC 4-6-2 STEAM LOCOMOTIVE TENDER

ASSEMBLY INSTRUCTIONS



ART-21800 SERIES PACIFIC 4-6-2 STEAM LOCOMOTIVE TENDER

ASSEMBLY INSTRUCTIONS





1:29 SCALE

ART-21800 SERIES PACIFIC 4-6-2 STEAM LOCOMOTIVE TENDER PARTS LIST-ORDER FORM



SPECIFY ROADNAME/ART#: _____ Insert Quantity Ordered

Part #	Description *	Price	Insert Quantity Ordered
21800-01	Instruction Manual	.00	
21800-02	Shell	20.00	
21800-03	Coal Load	5.00	
21800-04	Water Fill Hatch	3.00	
21800-05	Pusher Top	1.00	
21800-06	Pusher Barrel	1.00	
21800-07	Rear Ladder	1.00	
21800-08	Forward Grab Irons	1.00	
21800-09	Rear Ladder Rungs	1.00	
21800-10	Washer	.50	
21800-11	Pusher Screw	.50	
21800-12	Coal Load Screw	.50	
21800-13	Rear Grab Iron	1.00	
21800-14	Chassis	15.00	
21800-15	Shell Screws	.50	
21800-16	Body Weights	1.50	
21800-17	Body Weights Screws	.50	
21800-18	Battery Clip	3.00	
21800-19	Sound Board	20.00	
21800-20	Sound Board Screws	.50	
21800-21	Speaker	5.00	
21800-22	Speaker Hold Down	.50	
21800-23	Speaker Hold Down Screws	.50	
21800-24	Rear Sill	2.50	
21800-25	Rear Step	1.00	
21800-26	Rear Sill Screws	.50	
21800-27	Coupler Unlatch Bar Holder	1.00	
21800-28	Coupler Unlatch Bar	1.00	
21800-29	L.H. Forward Step	1.50	
21800-30	R.H. Forward Step	1.50	
21800-31	Forward Step Screws	.50	
21800-32	Automatic Stoker Cover	1.00	
21800-33	Sound Volume Control Knob	1.50	
21800-34	Brake Reservoir and Action Bar	2.50	
21800-35	Brake Reservoir and Action Bar Screw	.50	
21800-36	Rear Brake Linkage	2.00	
21800-37	Forward Brake Linkage	2.00	
21800-38	Brake Linkage Connecting Rod	1.00	
21800-39	Brake Linkage Screw	.50	
21800-40	Reservoir	1.00	
21800-41	Reservoir Screw	.50	
21800-42	L.H. Water Scoop	2.00	
21800-43	R.H. Water Scoop	2.00	
21800-44	Water Scoop Retainer Screws	.50	
21800-45	Water Scoop Mounting Screws	.50	
21800-46	Large Water Scoop Linkage	1.00	
21800-47	Small Water Scoop Linkage	1.00	
21800-48	Truck Bolster Screw	.50	
21800-49	Rear Truck ART-2910B	17.50	
21800-50	Forward Truck ART-2910B	17.50	
21800-51	Bolster	3.00	
21800-52	Side Frame	2.00	
21800-53	Conductors	1.00	
21800-54	Bushing	.50	
21800-55	Spring	1.50	
21800-56	Spring Mount	1.50	
21800-57	Spring Mount Screw	.50	
21800-58	Brass Rod	.50	
21800-59	Cylindrical Magnet	2.00	
21800-60	Wheel ART-2911B	5.00	
21800-61	Chuff Switch Axle	6.00	
21800-62	Chuff Switch	3.00	
21800-63	Chuff Switch Mounting Screw	.50	
21800-64	Knuckle Coupler ART-29200	4.00	
21800-65	Coupler Screw	.50	
21800-66	Draw Bar	2.00	
21800-67	Draw Bar Screw	.50	

*one piece unless otherwise noted

RETURN THIS FORM WITH YOUR ORDER
A REPLACEMENT FORM WILL BE SENT WITH YOUR ORDER TM

NOTE: When ordering replacement parts or repair request, please refer to proper 5 or 7 digit number listed. XX refers to last two digits of roadname ART tender number when part is painted to match, i.e. ART-21802 B & O. 21802-02 would then refer to Shell for B & O STEAM LOCOMOTIVE TENDER ART-21802. If part is same FOR ALL STEAM LOCOMOTIVE TENDERS, 21800-plus 2 digit number would be used to denote specific part, i.e. 21800-03 Coal Load used on ALL STEAM LOCOMOTIVE TENDERS regardless of railroad name. When part is same FOR ALL STEAM LOCOMOTIVE TENDERS AND OTHER FREIGHT CARS, 29200 (or other # plus 2 digit number) would be used to denote specific part regardless of roadname/car type. Please specify roadname/ART# on line above part# list and always when ordering parts by phone/fax/letter. Unpainted/painted part(s) will be substituted if the painted to match part(s) ordered are not available. In addition to Price Each shown please enclose... \$3.50 shipping/handling if part order is less than \$10.00 or \$5.00 shipping/handling if part order is \$10.00 or more.

This is for part order only. Not WARRANTY order. Include proper payment for parts plus shipping/handling with your (USA Bank Account Only) check/money order payable in US Dollars (\$) to: Polk's Hobbies. Please DO NOT SEND CASH. Sorry no C.O.D.'s for parts. New Jersey residents add 6% NJ State Sales Tax. Be Sure to include your name, street address (no Post Office Box please), city, state (or province), country (if outside USA), and postal zip code, along with daytime phone number including Area Code, so that you may be contacted if necessary.

Mail order form and payment to:
ARISTO-CRAFT TRAINS/Polk's Modelcraft Hobbies, Inc.
698 south 21st Street
Irvington, NJ 07111 USA
Allow 4-6 weeks for processing and delivery.

PLEASE PRINT CLEARLY

NAME: _____
ADDRESS _____
CITY: _____ STATE: _____ ZIP _____
PHONE: (____) _____