

#1 Gauge 1:29 SCALE

ART-42100 SERIES STEEL CABOOSE

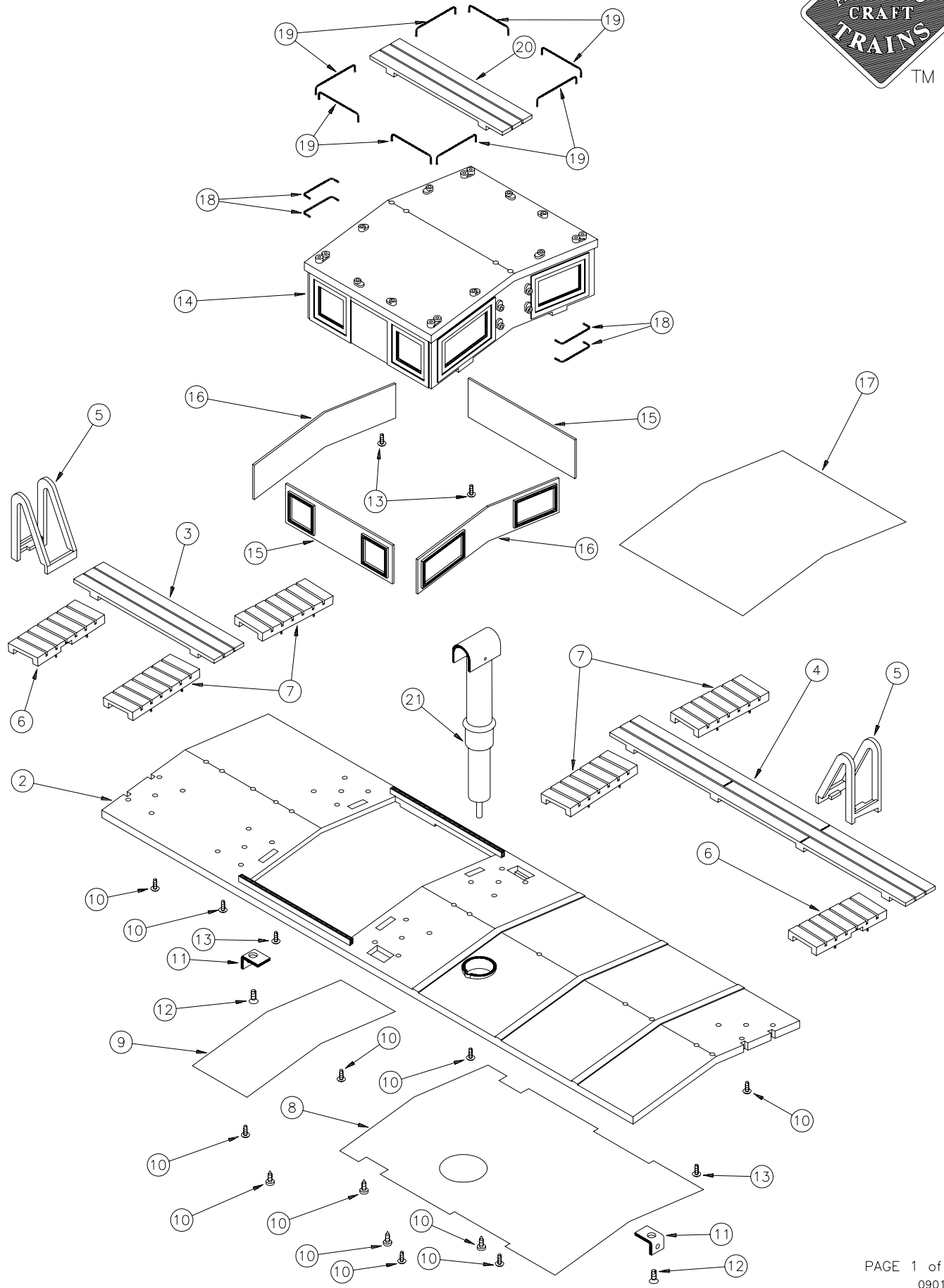
EXPLODED PARTS DIAGRAM



+

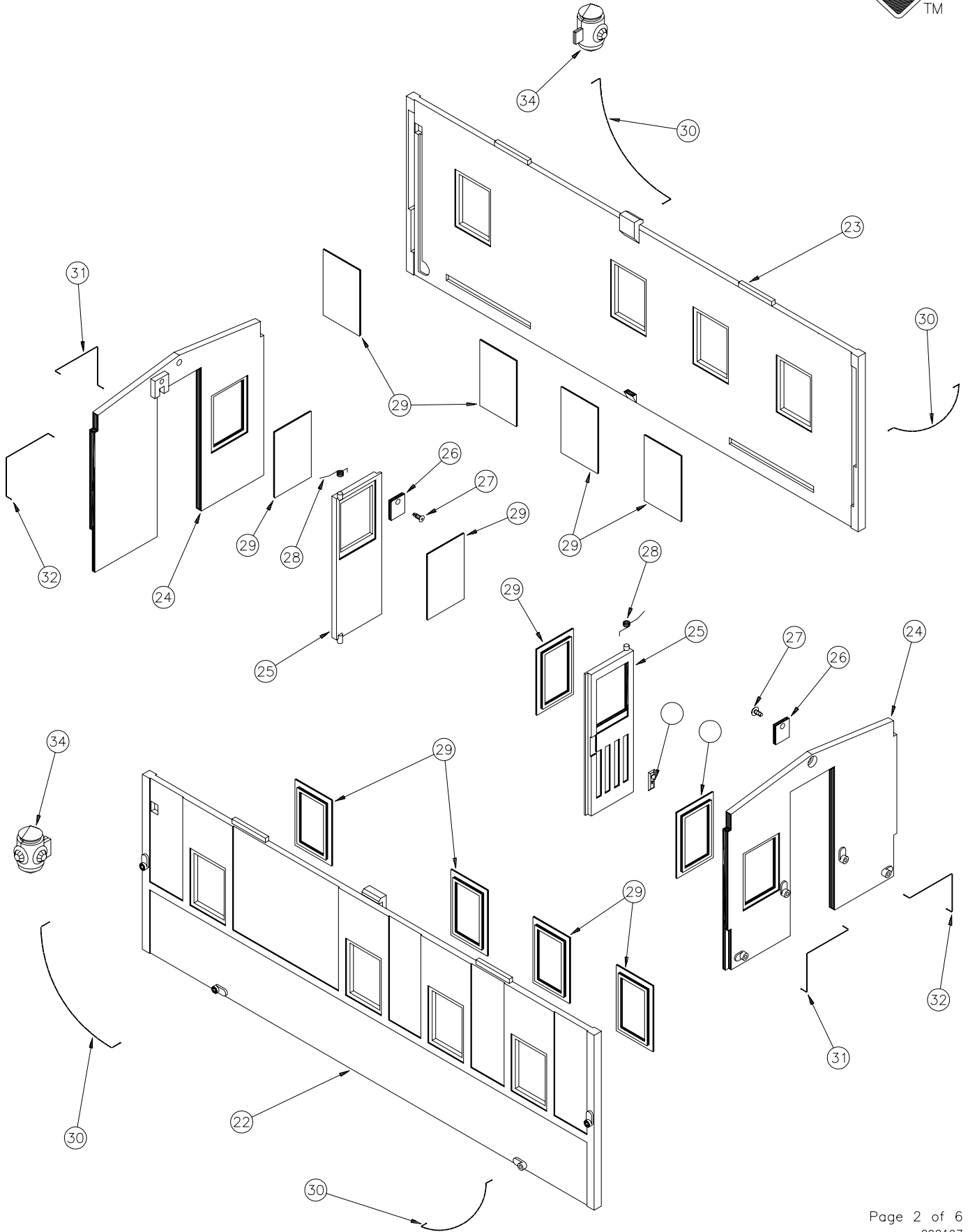
+

+



ART-42100 SERIES STEEL CABOOSE

EXPLODED PARTS DIAGRAM



ART-42100 SERIES STEEL CABOOSE

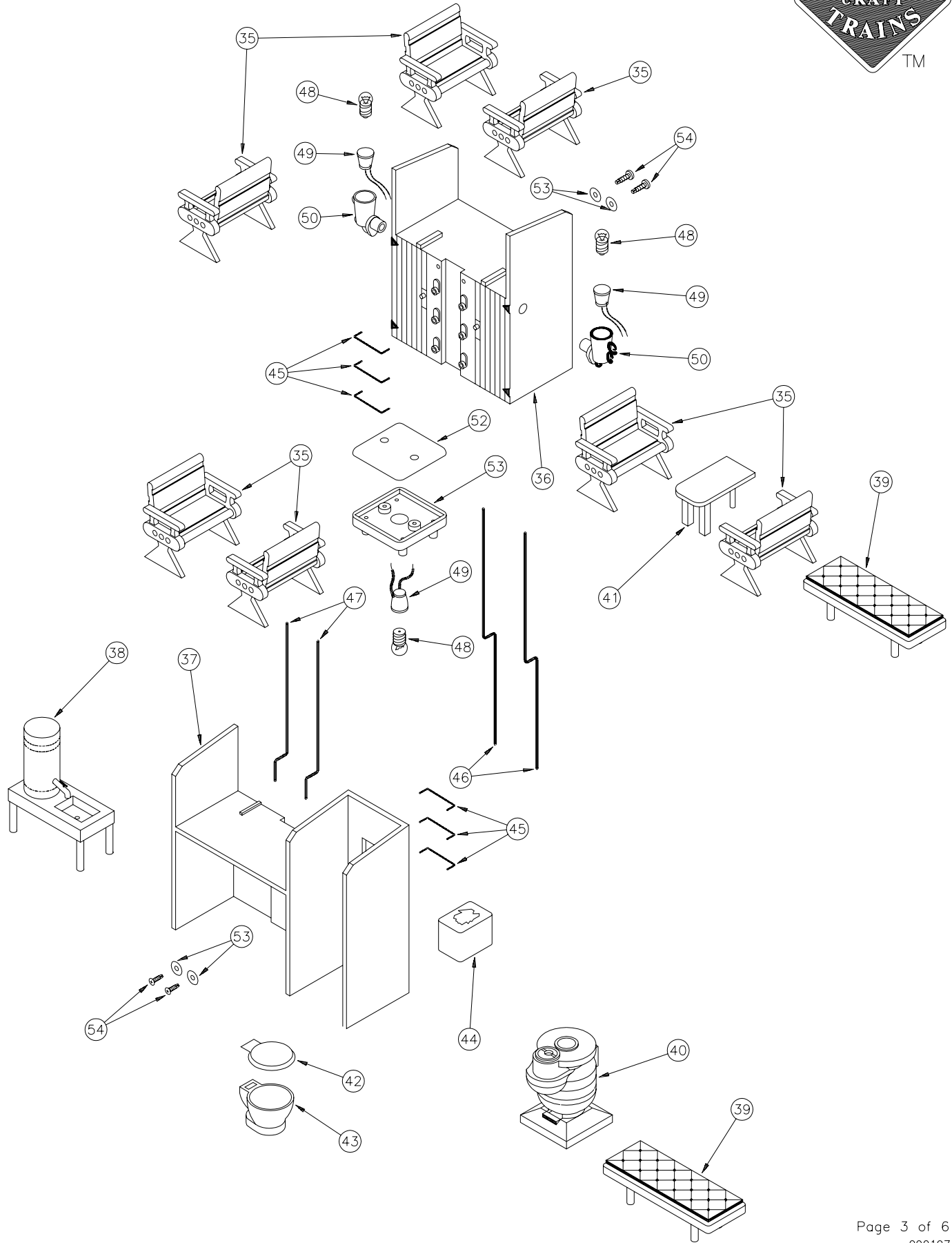
EXPLODED PARTS DIAGRAM



+

+

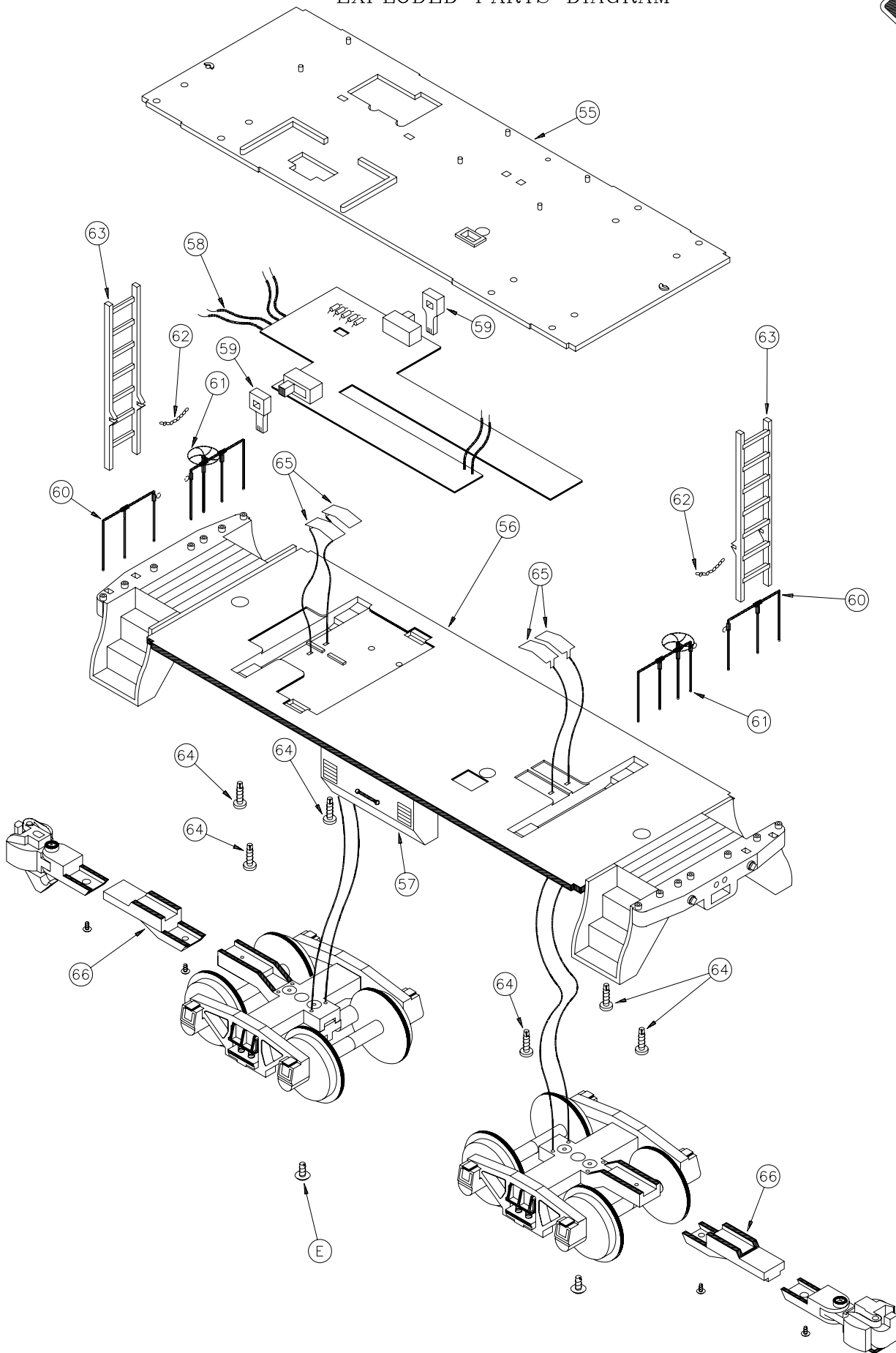
+



#1 1:29
Gauge SCALE

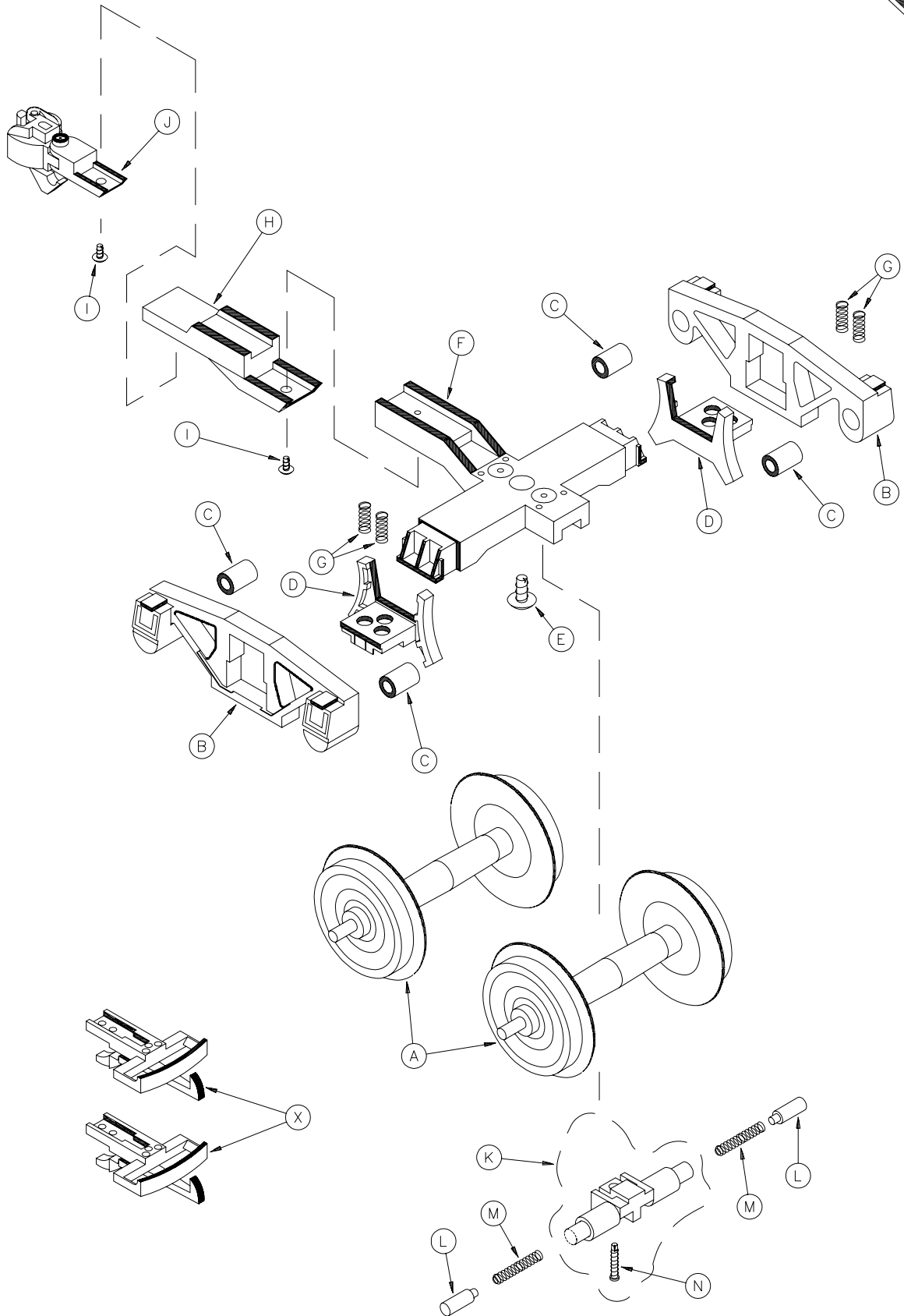
ART-42100 SERIES STEEL CABOOSE

EXPLODED PARTS DIAGRAM



ART-42100 SERIES STEEL CABOOSE

EXPLODED PARTS DIAGRAM



ART-42100 SERIES STEEL CABOOSE

PARTS LIST-ORDER FORM



SPECIFY ROADNAME/ART#: _____ Insert Quantity Ordered

RETURN THIS FORM WITH YOUR ORDER
A REPLACEMENT FORM WILL BE SENT WITH YOUR ORDER

Part #	Description *	Price	Quantity Ordered
①	42100-01 Instruction Manual	\$ 1.00	
②	42100-02 Roof	10.00	
③	42100-03 Medium Roof Walk	2.00	
④	42100-04 Long Roof Walk	2.50	
⑤	42100-05 Ladder Loops	1.00	
⑥	42100-06 Ladder Roof Walk	1.50	
⑦	42100-07 Short Roof Walk	1.00	
⑧	42100-08 Large Roof Light Reflector	3.50	
⑨	42100-09 Small Roof Light Reflector	1.50	
⑩	42100-10 Roof Walk Retainer Screw	.25	
⑪	42100-11 Roof Retainer Bracket	1.00	
⑫	42100-12 Roof Retainer Bracket Screw	.25	
⑬	42100-13 Copula Retaining Screw	.25	
⑭	42100-14 Copula	6.00	
⑮	42100-15 Copula Side Windows	3.00	
⑯	42100-16 Copula Front and Rear Windows	3.00	
⑰	42100-17 Copula Roof Light Reflector	2.50	
⑱	42100-18 Copula Face Grab Irons	.50	
⑲	42100-19 Copula Roof Grab Irons	.50	
⑳	42100-20 Copula Roof Walk	1.75	
㉑	ART29300 Smoke Unit	14.50	
㉒	42100-22 Car Right Hand Side	10.00	
㉓	42100-23 Car Left Hand Side	10.00	
㉔	42100-24 Car End	8.00	
㉕	42100-25 Door	2.50	
㉖	42100-26 Door Spring Retainer	.50	
㉗	42100-27 Door Spring Retainer Screw	.25	
㉘	42100-28 Door Spring	1.00	
㉙	42100-29 Car Body Windows	1.50	
㉚	42100-30 Car Side Grab Iron	1.00	
㉛	42100-31 Car End "A" Grab Iron	1.00	
㉜	42100-32 Car End "B" Grab Iron	1.00	
㉝	42100-33 Door Knob	1.00	
㉞	ART29500 Marker Light	3.98	
㉟	ART29700 Chairs	5.95	
㊱	42100-36 R.H. Locker	4.50	
㊲	42100-37 L.H. Locker	4.50	
㊳	ART29701 Water Can and Sink	5.95	
㊴	ART29701 Cot	5.95	
㊵	42100-40 Stove (Smoke Unit Base)	5.00	
㊶	ART29701 Desk	5.95	
㊷	42100-42 Commode Lid	1.50	
㊸	42100-43 Commode	2.50	
㊹	42100-44 Box	1.00	
㊺	42100-45 Ladder Rung	1.00	
㊻	42100-46 L.H. Grab Iron	1.50	
㊼	42100-47 R.H. Grab Iron	1.50	
㊽	ART29502 Light Bulb	1.00	
㊾	ART29503 Light Bulb Socket	1.00	
㊿	42100-50 Light Bulb Holder	1.00	
Ⓚ	42100-51 Copula Light Holder	2.00	
Ⓛ	42100-52 Copula Light Holder Cover	1.00	
Ⓜ	42100-53 Locker Retainer Washer	.25	
Ⓨ	42100-54 Locker Retainer Screw	.25	
Ⓩ	42100-55 Car Floor	6.00	
ⓐ	42100-56 Car Chassis	15.00	
ⓑ	42100-57 Battery and Tool Box	2.00	
ⓒ	42100-58 Circuit Board	20.00	
ⓓ	42100-59 On Off Switch Extensions	.50	
ⓔ	42100-60 Rear Hand Rail	1.50	
ⓕ	42100-61 Hand Wheel W/ Brake Wheel	2.00	
ⓖ	42100-62 Safety Chain	.50	
ⓗ	42100-63 Roof Ladder	1.50	
ⓘ	42100-64 Car Body Retainer Screw	.25	
ⓙ	42100-65 Truck to Circuit Board Contact Points	.25	
ⓚ	42100-66 Coupler Extensions	1.25	
ⓛ	ART29111B Steel Wheel Set (2 Axles-4 Wheels)	19.95	
ⓜ	29101-02 Sideframe	4.00	
ⓝ	29101-03 Axle Bushing (2 pcs.)	1.00	
ⓞ	29101-04 Spring Holder w/Brakeshoes	1.00	
ⓟ	29101-86 Bolster Truck Screw	1.00	
ⓠ	29101-06 Bolster	2.00	
ⓡ	29101-99 Freight Truck Springs (2 pcs.)	1.00	
ⓢ	29101-07 Coupler Extension	2.00	
ⓣ	29101-99 Coupler or Extension Mount Screw	.25	
ⓤ	ART29200 Coupler	7.95	
ⓖ	ART29401 Brush Assembly	4.95	
ⓗ	ART29408 Brush	4.95	
ⓙ	ART29409 Spring	4.95	
ⓛ	2910108 Brush Assembly Mounting Screw	.25	
ⓜ	42100-99 Parts List-Order Form	No Charge	

*one piece unless otherwise noted

NOTE: When ordering replacement parts or repair request, please refer to proper 5 or 7 digit number listed.

XX refers to last two digits of roadname ART freight car number when part is painted to match, i.e. ART-42114 NEW YORK CENTRAL. 42114-14 would then refer to the CUPOLA for NEW YORK CENTRAL STEEL CABOOSE ART-42114. If part is same FOR ALL STEEL CABOOSES, 42100-plus 2 digit number would be used to denote specific part, i.e. 42100-56 CAR CHASSIS. When part is same FOR STEEL CABOOSES and OTHER FREIGHT CARS, 29200 (or other #-plus 2 digit number) would be used to denote specific part regardless of roadname/car type. Please specify roadname/ART# on line above part# list.

Unpainted/painted part(s) will be substituted if the painted to match part(s) ordered are not available.

In addition to Price Each shown please enclose...
\$3.50 shipping/handling if part order is less than \$10.00 or \$5.00 shipping/handling if part order is \$10.00 or more.
This is for part order only. Not WARRANTY order.

Include proper payment for parts plus shipping/handling with your (USA Bank Account Only) check/money order payable in US Dollars (\$) to: Polk's Hobbies. Please DO NOT SEND CASH. Sorry no C.O.D.'s for parts.

New Jersey residents add 6% NJ State Sales Tax.

Be Sure to include your name, street address (no Post Office Box please), city, state (or province), country (if outside USA), and postal zip code, along with daytime phone number including Area Code, so that you may be contacted if necessary.

Mail order form and payment to:

ARISTO-CRAFT TRAINS/Polk's Modelcraft Hobbies, Inc.
346 Bergen Avenue
Jersey City, NJ 07304 USA

Allow 4-6 weeks for processing and delivery.

PLEASE PRINT CLEARLY

NAME: _____

ADDRESS _____

CITY: _____ STATE: _____ ZIP _____

PHONE:(_____) - _____ - _____