



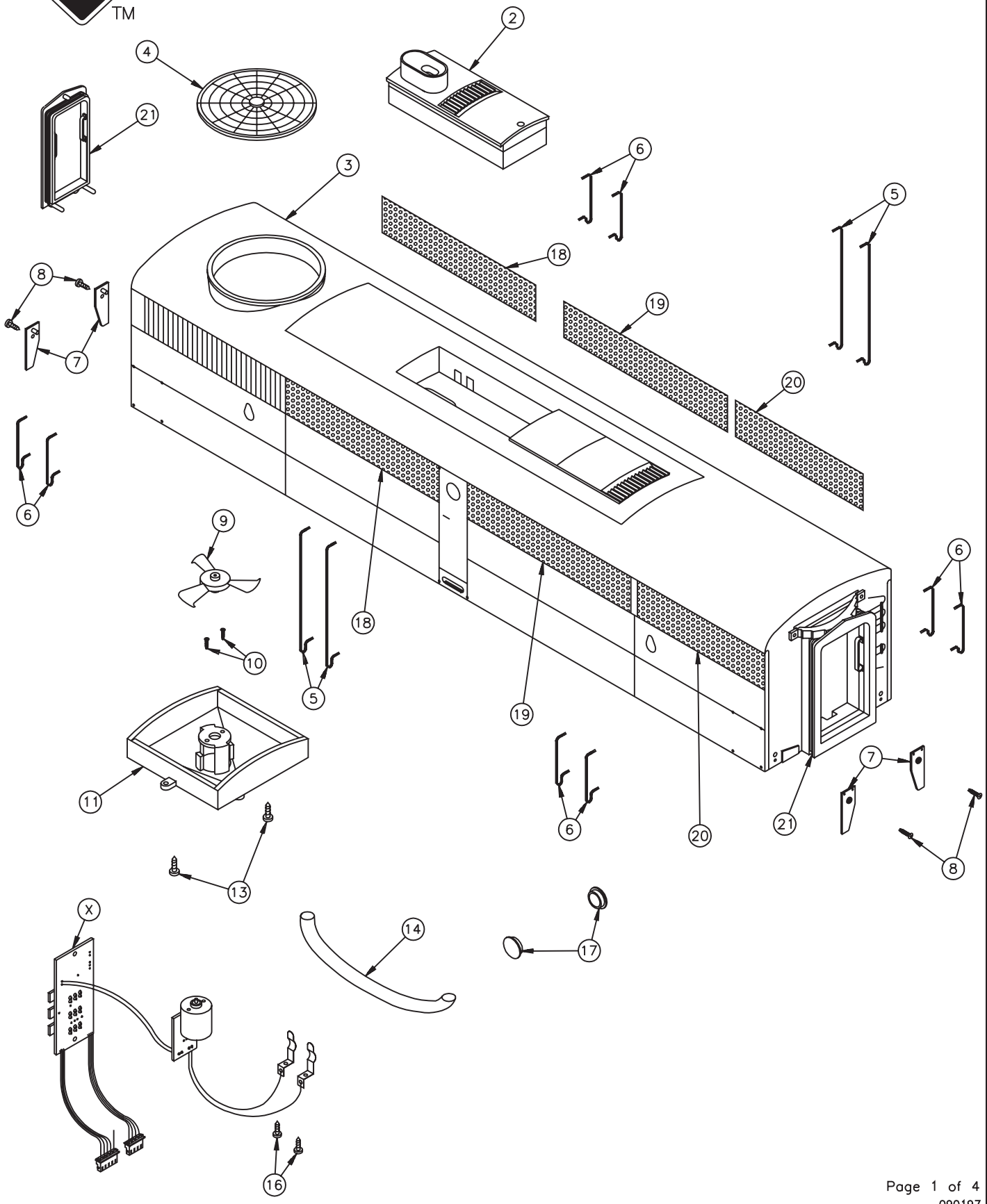
ART-22050 SERIES ALCO FB-1 DIESEL LOCOMOTIVE ASSEMBLY INSTRUCTIONS

1 Gauge **1:29** SCALE

+

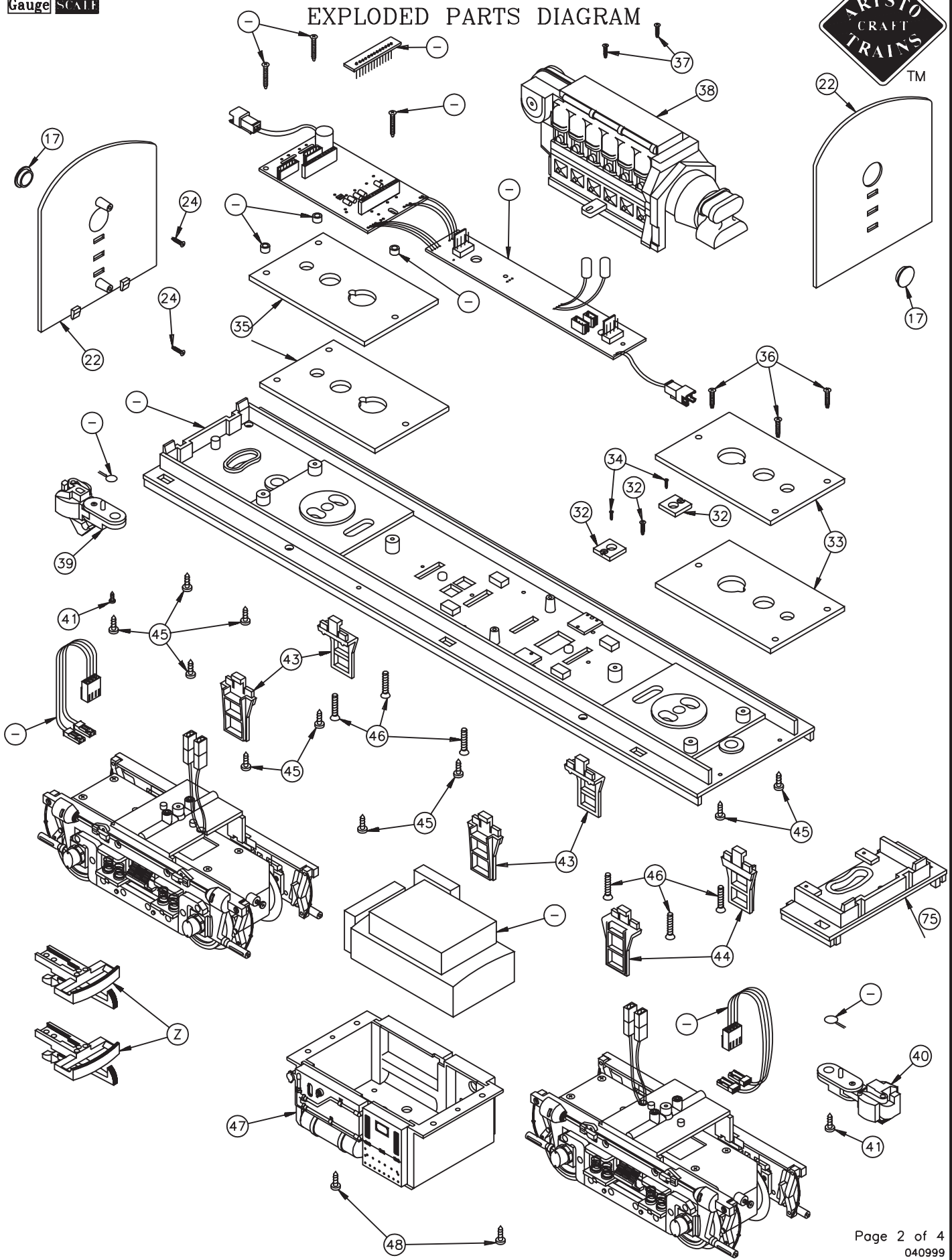
+

+

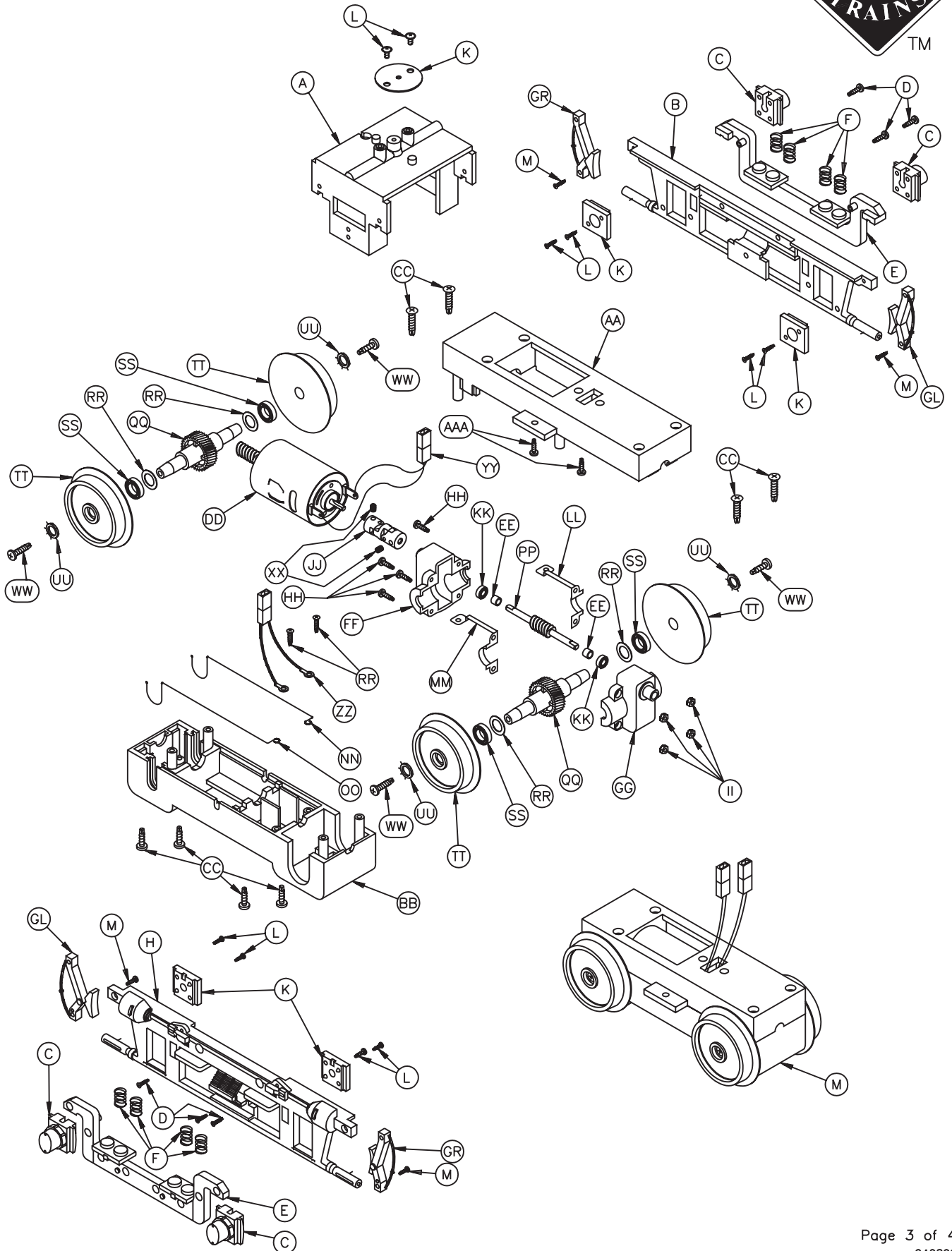


ART-22050 SERIES ALCO FB-1 DIESEL LOCOMOTIVE

EXPLODED PARTS DIAGRAM



ART-22050 SERIES ALCO FB-1 DIESEL LOCOMOTIVE WITH IMPROVED DRIVE EXPLODED PARTS DIAGRAM





ART-22050 SERIES ALCO FB-1 DIESEL LOCOMOTIVE

PARTS LIST-ORDER FORM



SPECIFY ROADNAME/ART#: _____ Insert
Quantity
Ordered

RETURN THIS FORM WITH YOUR ORDER
A REPLACEMENT FORM WILL BE SENT WITH YOUR ORDER

Part #	Description *	Price	Quantity Ordered
① 22050-01	Instruction Manual	\$ 1.00	
② ART29305	Smoke Unit	16.95	
③ 22050-03	Body Shell	100.00	
④ 22050-04	Fan Cover	2.50	
⑤ 22050-05	Long Grab Iron	.50	
⑥ 22050-06	Short Grab Iron	.50	
⑦ 22050-07	Dagger	1.00	
⑧ 22050-08	Dagger Screw	.25	
⑨ 22050-09	Fan	1.50	
⑩ 22050-10	Fan Motor Retainer Screw	.25	
⑪ 22050-11	Fan Chamber	2.50	
⑫ 22050-12	Fan Motor	5.00	
⑬ 22050-13	Fan Chamber Retainer Screw	.25	
⑭ 22050-14	Smoke Tube	1.00	
⑮ 22050-15	Smoke Unit Electrical Pickup	2.00	
⑯ 22050-16	Smoke Unit Electrical Pickup Screw	.25	
⑰ 22050-17	Mid Door Side Window	1.00	
⑱ 22050-18	Long Grill	2.50	
⑲ 22050-19	Medium Grill	2.00	
⑳ 22050-20	Short Grill	1.50	
㉑ 22050-21	Door Diaphragm	2.00	
㉒ 22050-22	Car Rear End	2.50	
㉓ 22050-23	Control Switch Module	4.00	
㉔ 22050-24	Control Switch Module Retaining Screw	.25	
㉕ 22050-25	Coupler Centering Spring Screw	.25	
㉖ 22050-26	Coupler Centering Spring Washer	.25	
㉗ 22050-27	Coupler Centering Spring	1.00	
㉘ 22050-28	"A" Frame Retainer Plate	2.00	
㉙ 22050-29	"A" Frame Retainer Plate Screw	.25	
㉚ 22050-30	Circuit Board	8.00	
㉛ 22050-31	Interior Light Bulb	.50	
㉜ 22050-32	Interior Light Bulb Holder	1.00	
㉝ 22050-33	Circuit Board Retaining Screw	.25	
㉞ 22050-34	Interior Light Bulb Holder Screw	.25	
㉟ 22050-35	Weight Stack	2.50	
㊱ 22050-36	Weight Stack Retaining Screw	.25	
㊲ 22050-37	Prime Mover Retainer Screw	.25	
㊳ 22050-38	Prime Mover	3.50	
㊴ ART29200	Knuckle Coupler	7.95	
㊵ 22050-40	Coupler L Bracket	2.50	
㊶ 22050-41	Coupler Mount Screw	.25	
㊷ 22050-42	Chassis	10.00	
㊸ 22050-43	Mid and Rear Ladder	1.50	
㊹ 22050-44	Forward Ladder	1.50	
㊺ 22050-45	Car Body Mounting Screw	.25	
㊻ 22050-46	Weight Stack Retainer Screw	.25	
㊼ 22050-47	Fuel Tank	5.00	
㊽ 22050-48	Fuel Tank Retaining Screw	.25	
㊾ 22050-49	"B" End	5.00	
㊿ 22050-80	"A" Frame	2.00	
① ART29351	Motor Block	64.95	
② 22050-82	Journal Box	2.00	
③ 22050-83	Side Frame Mount Screw	.25	
④ 22050-84	Lower side Frame	2.00	
⑤ ART29114	Spring	3.98	
⑥ 22050-86R	Brake Shoe Right	1.00	
⑦ 22050-86L	Brake Shoe Left	1.00	
⑧ 22050-87	Main Side Frame	2.00	
⑨ 22050-88	Lower Side Frame Screw	.25	
⑩ 22050-89	Lower Side Frame Retaining Washer	.25	
⑪ 22050-90	Bushing Mount	2.00	
⑫ 22050-91	Power Pickup Bus	2.00	
⑬ 22050-92	Brake Show Retaining Screw	.25	
⑭ 22050-93	Bushing Mount Retaining Screw	.25	
⑮ ART29118P	Brass Bushing Previous	5.95	
⑯ ART29118	Brass Bushing	5.95	
⑰ ART29408	Bushing Brush	4.95	
⑱ ART29409	Brush Spring	4.95	
⑲ ART29357	Motor	15.00	
㉑ 29101-99	Plastic Loop/Hook Couplers (2 pcs.)	No Charge	
㉒ 31000-99	Parts List - Order Form	No Charge	

NOTE: When ordering replacement parts or repair request, please refer to proper 5 or 7 digit number listed.

XX refers to last two digits of roadname ART freight car number when part is painted to match, i.e. ART-22029 WESTERN MARYLAND. 22029-03 would then refer to BODY SHELL for WESTERN MARYLAND ALCO FB-1 DIESEL LOCOMOTIVE ART-22029. If part is same FOR ALL ALCO FB-1 DIESEL LOCOMOTIVES, 22050-plus 2 digit number would be used to denote specific part, i.e. 22050-42 CHASSIS. When part is same FOR ALL ALCO FB-1 DIESEL LOCOMOTIVES and OTHER FREIGHT CARS 29200 (or other #-plus 2 digit number) would be used to denote specific part regardless of roadname/car type. Please specify roadname/ART# on line above part# list.

Unpainted/painted part(s) will be substituted if the painted to match part(s) ordered are not available.

In addition to Price Each shown please enclose...
\$3.50 shipping/handling if part order is less than \$10.00 or
\$5.00 shipping/handling if part order is \$10.00 or more.
This is for part order only. Not WARRANTY order.

Include proper payment for parts plus shipping/handling with your (USA Bank Account Only) check/money order payable in US Dollars (\$) to: Polk's Hobbies. Please DO NOT SEND CASH. Sorry no C.O.D.'s for parts.

New Jersey residents add 6% NJ State Sales Tax.

Be Sure to include your name, street address (no Post Office Box please), city, state (or province), country (if outside USA), and postal zip code, along with daytime phone number including Area Code, so that you may be contacted if necessary.

Mail order form and payment to:

ARISTO-CRAFT TRAINS/Polk's Modelcraft Hobbies, Inc.
698 South 21st Street
Irvington, NJ 07111 USA

Allow 4-6 weeks for processing and delivery.

PLEASE PRINT CLEARLY

NAME: _____

ADDRESS _____

CITY: _____ STATE: _____ ZIP _____

PHONE:(_____) - _____ - _____