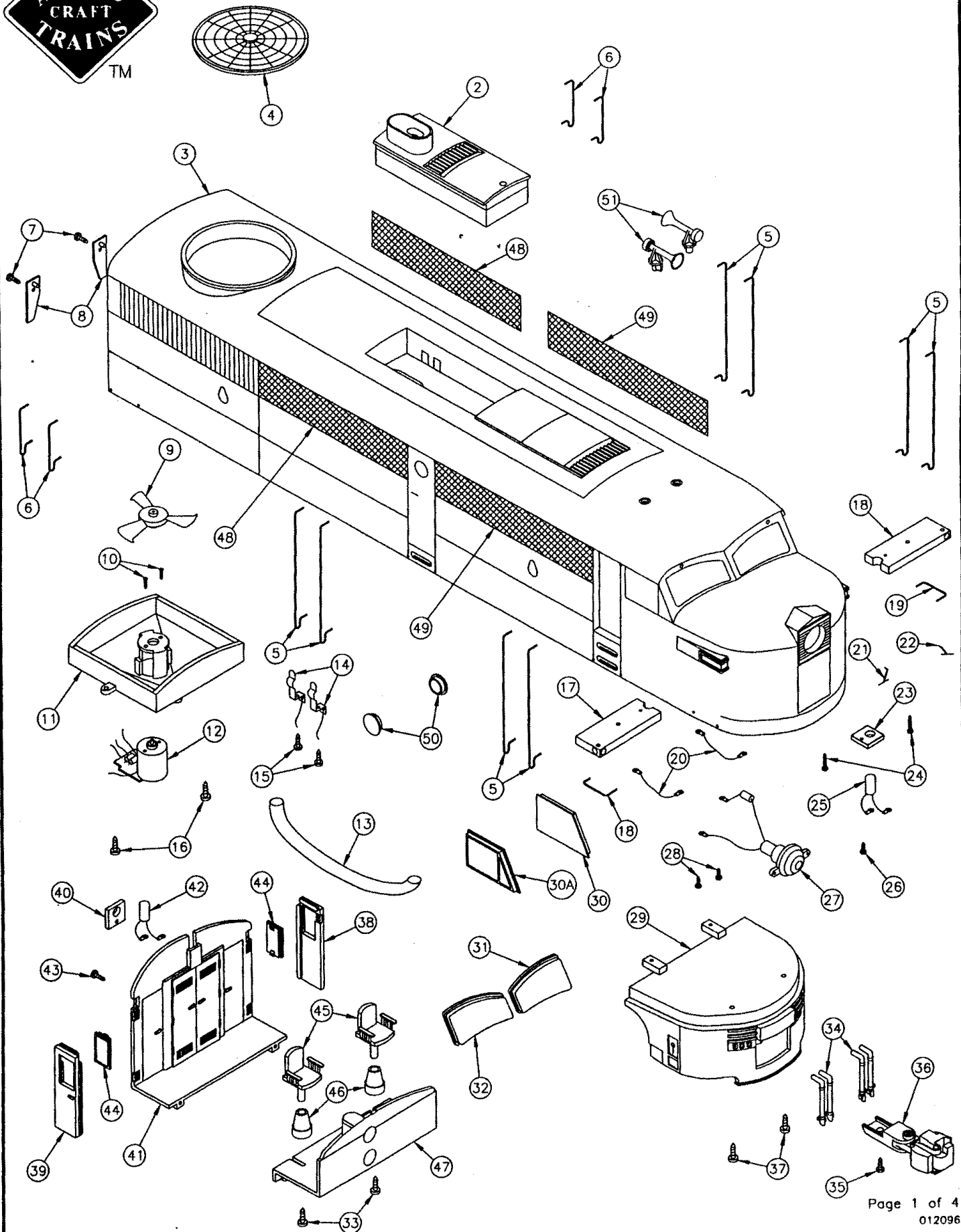


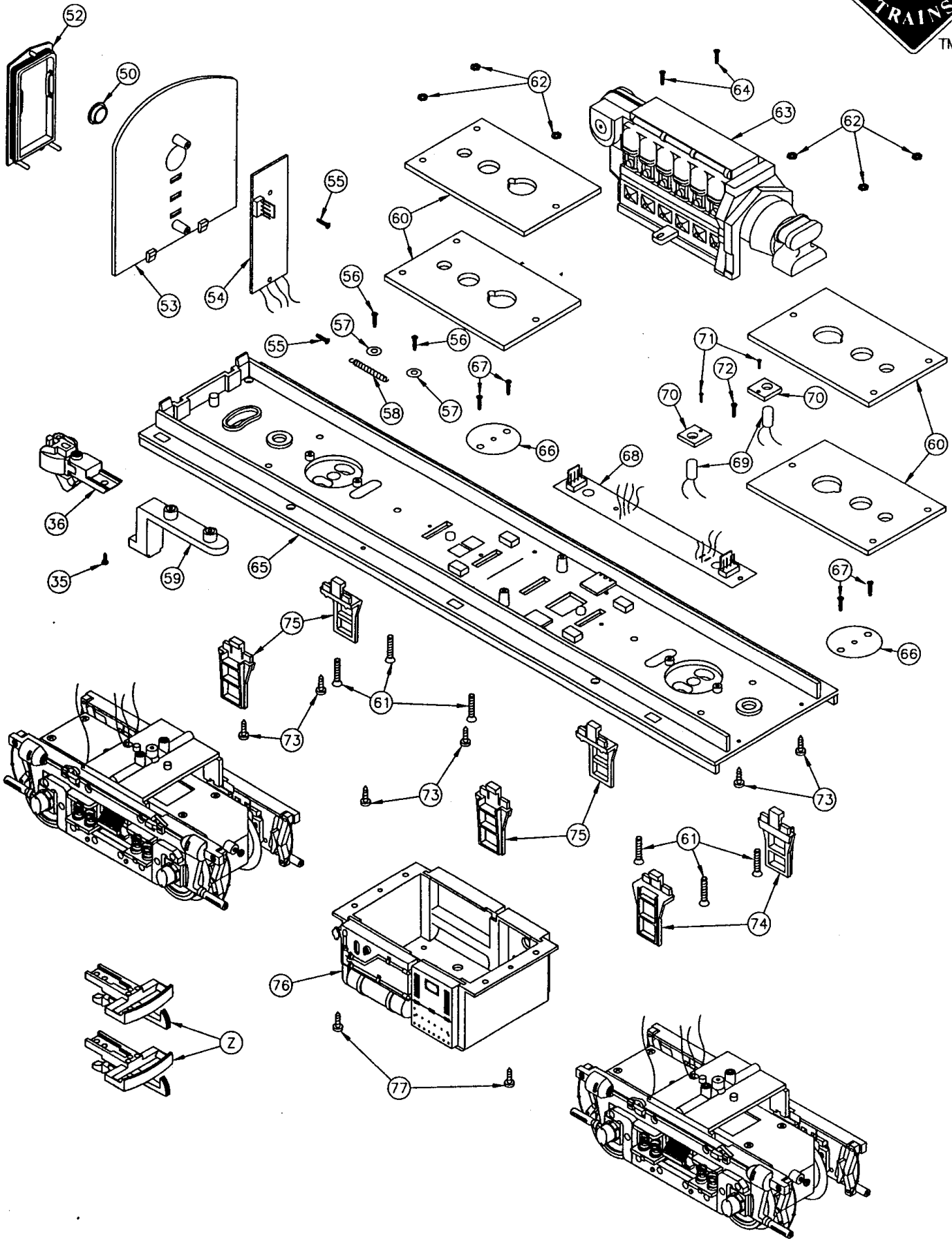


ART-22000 SERIES ALCO FA-1 DIESEL LOCOMOTIVE ASSEMBLY INSTRUCTIONS

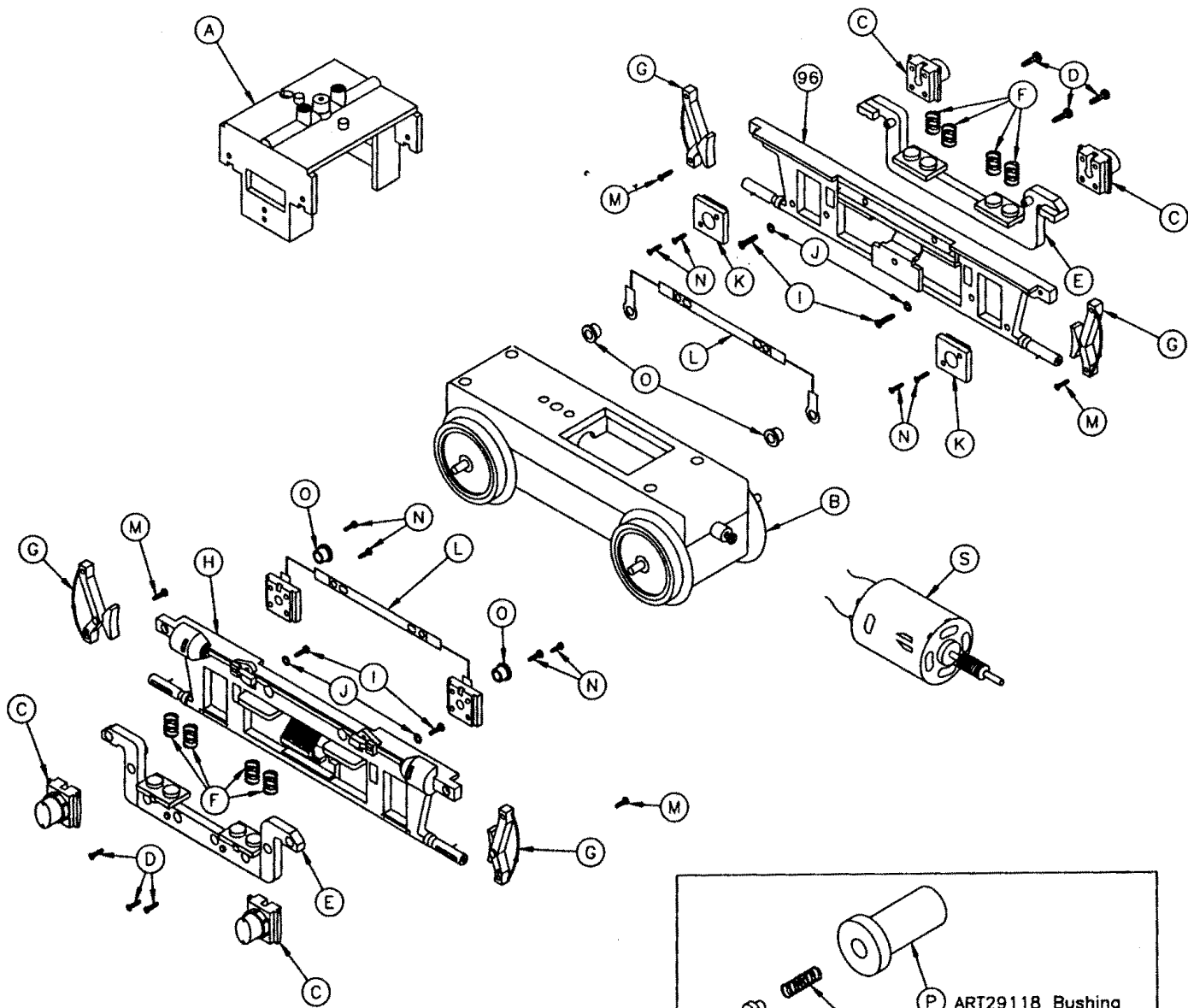
1:29
Gauge SCAL1



ART-22000 SERIES ALCO FA-1 DIESEL LOCOMOTIVE ASSEMBLY INSTRUCTIONS



ART-22000 SERIES ALCO FA-1 DIESEL LOCOMOTIVE ASSEMBLY INSTRUCTIONS



ART29118 Bushing
ART29409 Spring
ART29408 Brush

ATTENTION CUSTOMERS

When Ordering Spare Parts For Side Frames. Please Verify That The Side Frame You Are Ordering Against Is Either Previous or Modern. If You Wish To Upgrade, Be Sure to Order Items C and K In Addition To Items P, Q, and R.

ART-22000 SERIES ALCO FA-1 DIESEL LOCOMOTIVE

PARTS LIST-ORDER FORM



SPECIFY ROADNAME/ART#: _____ Insert Quantity Ordered

| Part # | Description * | Price |
|-----------|---|---------|
| 22000-01 | Instruction Manual | \$ 1.00 |
| ART29305 | Smoke Unit | 16.95 |
| 22000-03 | Body Shell | 100.00 |
| 22000-04 | Fan Cover | 2.50 |
| 22000-05 | Long Grab Iron | .50 |
| 22000-06 | Short Grab Iron | .50 |
| 22000-07 | Dagger Screw | .25 |
| 22000-08 | Dagger | 1.00 |
| 22000-09 | Fan | 1.50 |
| 22000-10 | Fan Motor Retaining Screw | .25 |
| 22000-11 | Fan Chamber | 2.50 |
| 22000-12 | Fan Motor | 5.00 |
| 22000-13 | Smoke Tube | 1.00 |
| 22000-14 | Smoke Unit Electrical Pickup | 2.00 |
| 22000-15 | Smoke Unit Electrical Pickup Screw | .25 |
| 22000-16 | Fan Chamber Mounting Screw | .25 |
| 22000-17 | R.H. Marker Board | 2.00 |
| 22000-18 | L.H. Marker Board | 2.00 |
| 22000-19 | Grab Iron | .50 |
| 22000-20 | Marker Board Harness | 1.50 |
| 22000-21 | R.H. Windshield Wiper | 1.00 |
| 22000-22 | L.H. Windshield Wiper | 1.00 |
| 22000-23 | Marker Board Light Holder | 1.00 |
| 22000-24 | Front Pilot Rear Mounting Screw | .25 |
| 22000-25 | Marker Board Light Bulb | .50 |
| 22000-26 | Marker Board Light Bulb Holder Mounting Screw | .25 |
| 22000-27 | Headlight and Lens | 3.50 |
| 22000-28 | Number Board Mounting Screw | .25 |
| 22000-29 | Front Pilot | 5.00 |
| 22000-30 | L.H. Front Side Window | 1.50 |
| 22000-30A | R.H. Front Side Window | 1.50 |
| 22000-31 | L.H. Windshield | 1.50 |
| 22000-32 | R.H. Windshield | 1.50 |
| 22000-33 | Crew Seat Mounting Screw | .25 |
| 22000-34 | Air Hose | 1.00 |
| 22000-35 | Coupler Mount Screw | .25 |
| ART29200 | Knuckle Coupler | 7.95 |
| 22000-37 | Pilot Front Mounting Screw | .25 |
| 22000-38 | L.H. Forward Cab Door | 1.50 |
| 22000-39 | R.H. Forward Cab Door | 1.50 |
| 22000-40 | Cab Light Bulb Holder | 1.00 |
| 22000-41 | Cab Rear Wall | 4.00 |
| 22000-42 | Cab Light Bulb | .50 |
| 22000-43 | Cab Light Bulb Holder Mounting Screw | .25 |
| 22000-44 | Cab Forward Door Window | 1.00 |
| 22000-45 | Crew Seat | 2.50 |
| 22000-46 | Crew Seat Mount | 1.00 |
| 22000-47 | Control Stand | 2.50 |
| 22000-48 | Long Side Grill | 2.50 |
| 22000-49 | Medium Side Grill | 2.00 |
| 22000-50 | Mid Door Round Window | 1.00 |
| 22000-51 | Horn | 1.00 |
| 22000-52 | Door Diaphragm | 2.00 |
| 22000-53 | Car Rear End | 2.50 |
| 22000-54 | Control Switch Module | 4.00 |
| 22000-55 | Control Switch Module Mounting Screw | .25 |
| 22000-56 | Coupler Centering Spring Retainer Screw | .25 |
| 22000-57 | Coupler Centering Spring Retainer Washer | .25 |
| 22000-58 | Coupler Centering Spring | 1.00 |
| 22000-59 | Coupler L Bracket | 2.50 |
| 22000-60 | Weight Stack | 2.50 |
| 22000-61 | Weight Stack Retainer Screw | .25 |
| 22000-62 | Weight Stack Retainer Nut | .25 |
| 22000-63 | Prime Mover | 3.50 |
| 22000-64 | Prime Mover Mounting Screws | .25 |
| 22000-65 | Chassis | 10.00 |
| 22000-66 | "A" Frame Retainer Plate | 2.00 |
| 22000-67 | "A" Frame Retainer Plate Screw | .25 |
| 22000-68 | Circuit Board | 8.00 |
| 22000-69 | Interior Light Bulb | .50 |
| 22000-70 | Light Bulb Holder | 1.00 |
| 22000-71 | Light Bulb Holder Retainer Screw | .25 |
| 22000-72 | Circuit Board Retainer Screw | .25 |
| 22000-73 | Car Body Retainer Screw | .25 |
| 22000-74 | Forward Ladder | 1.50 |
| 22000-75 | Mid and Rear Ladder | 1.50 |
| 22000-76 | Fuel Tank | 5.00 |
| 22000-77 | Fuel Tank Mounting Screw | .25 |
| 22000-80 | "A" Frame | 2.00 |
| ART29351 | Motor Block | 64.95 |
| 22000-82 | Journal Box | 2.00 |
| 22000-83 | Side Frame Mount Screw | .25 |
| 22000-84 | Lower Side Frame | 2.00 |
| ART29114 | Spring | 3.98 |
| 22000-86 | Brake Shoes | 1.00 |
| 22000-87 | Main Side Frame | 2.00 |

| Part # | Description * | Price | Quantity |
|-----------|-------------------------------------|-----------|----------|
| 22000-01 | Lower Side Frame Screw | \$.25 | |
| 22000-02 | Lower Side Frame Retaining Washer | .25 | |
| 22000-03 | Bushing Mount | 2.00 | |
| 22000-04 | Power Pickup Bus | 2.00 | |
| 22000-05 | Brake Shoe Retaining Screw | .25 | |
| 22000-06 | Bushing Mount Retaining Screw | .25 | |
| ART29118P | Brass Bushing Previous | 5.95 | |
| ART29118 | Brass Bushing | 5.95 | |
| ART29408 | Bushing Brush | 4.95 | |
| ART29409 | Brush Spring | 4.95 | |
| ART29357 | Motor | 15.00 | |
| 29101-99 | Plastic Loop/Hook Couplers (2 pcs.) | No Charge | |
| 22000-99 | Parts List-Order Form | No Charge | |

*one piece unless otherwise noted

RETURN THIS FORM WITH YOUR ORDER
A REPLACEMENT FORM WILL BE SENT WITH YOUR ORDER

NOTE: When ordering replacement parts or repair request, please refer to proper 5 or 7 digit number listed.

XX refers to last two digits of roadname ART freight car number when part is painted to match, i.e. ART-22029 WESTERN MARYLAND. 22029-03 would then refer to BODY SHELL for WESTERN MARYLAND ALCO FA-1 DIESEL LOCOMOTIVE ART-22029. If part is same FOR ALCO FA-1 DIESEL LOCOMOTIVES, 22000-plus 2 digit number would be used to denote specific part, i.e. 22000-65 CHASSIS. When part is same FOR ALL FLAT CARS and OTHER FREIGHT CARS, 29200 (or other #-plus 2 digit number) would be used to denote specific part regardless of roadname/car type. Please specify roadname/ART# on line above part# list.

Unpainted/painted part(s) will be substituted if the painted to match part(s) ordered are not available.

In addition to Price Each shown please enclose...

\$5.00 shipping & handling if order is domestic US.

\$15.00 shipping & handling if order is foreign

Include proper payment for parts plus shipping/handling with your (USA Bank Account Only) check/money order payable in US Dollars (\$) to: Polk's Hobbies. Please DO NOT SEND CASH. Sorry no C.O.D.'s for parts.

New Jersey residents add 7% NJ State Sales Tax.

Be Sure to include your name, street address (no Post Office Box please), city, state (or province), country (if outside USA), and postal zip code, along with daytime phone number including Area Code, so that you may be contacted if necessary.

Mail order form and payment to:

ARISTO-CRAFT TRAINS

698 SOUTH 21ST STREET

IRVINGTON, NJ 07111-4109

Allow 4-6 weeks for processing and delivery.

PLEASE PRINT CLEARLY

NAME: _____

ADDRESS: _____

CITY: _____ STATE: _____ ZIP: _____

PHONE: (_____) - ____ - ____