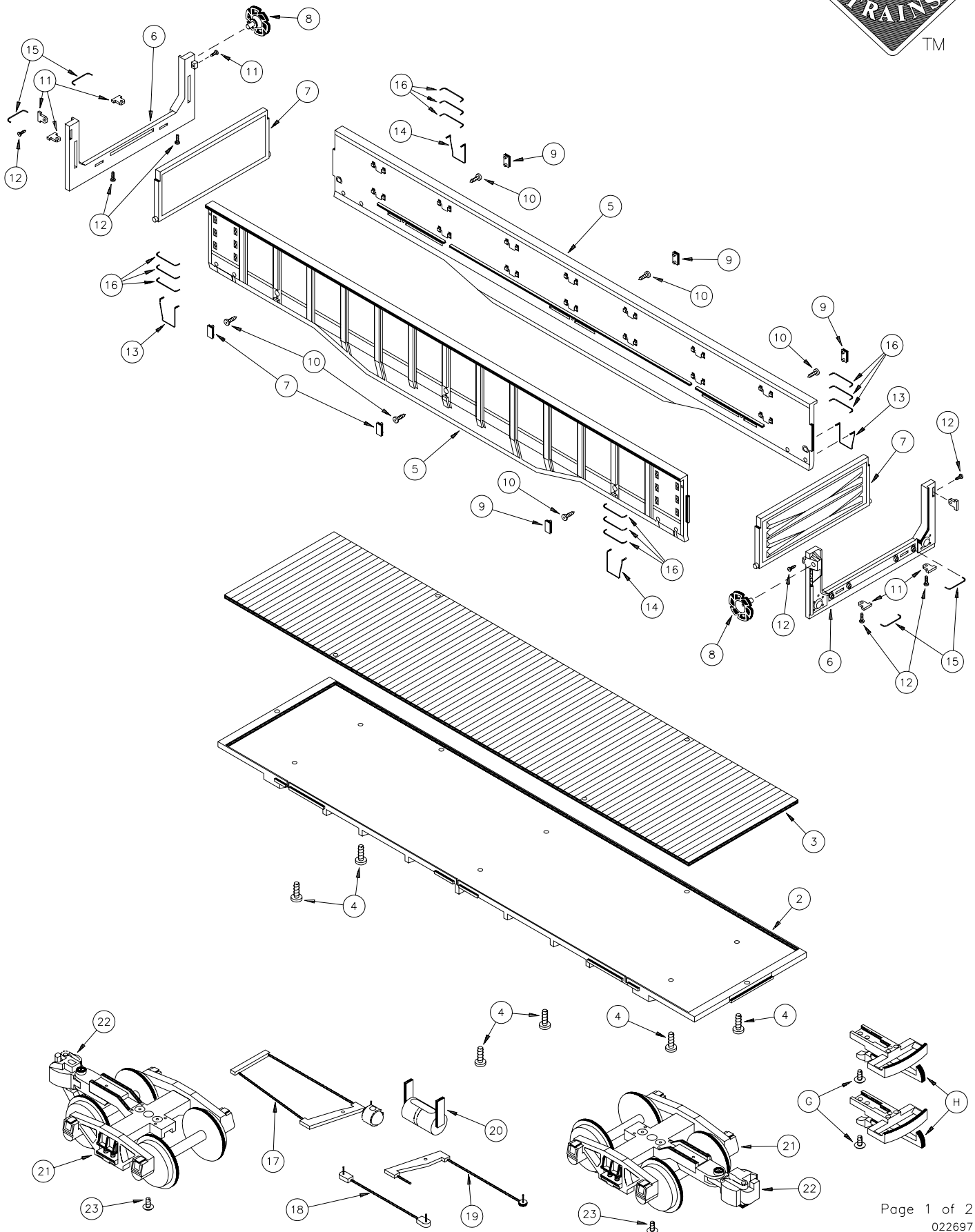


#1 Gauge 1:29 SCALE

ART. 41000 SERIES DROP END GONDOLA

EXPLODED PARTS DIAGRAM



ART-41000 SERIES DROP END GONDOLA

PARTS LIST-ORDER FORM



Part #	Description *	Price	Insert Quantity Ordered
① 41000-01	Instruction Manual	\$ 1.00	
② 410XX-02	Chassis	15.00	
③ 410XX-03	Floor	10.00	
④ 410XX-04	Chassis Screw	.50	
⑤ 410XX-05	Body Side (Except LTD/Special editions)	10.00	
⑥ 410XX-06	Car End Frame (Except LTD/Special editions)	2.00	
⑦ 410XX-07	Car End (Except LTD/Special editions)	1.00	
⑧ 410XX-08	Brakewheel	1.00	
⑨ 410XX-09	Body Clip	.50	
⑩ 410XX-10	Body Clip Screw	.50	
⑪ 41000-11	End Frame Clip	.50	
⑫ 41000-12	End Frame Clip Screw	.50	
⑬ 41000-13	L.H. Stirrup Step	1.00	
⑭ 41000-14	R.H. Stirrup Step	1.00	
⑮ 41000-15	Car End Grab Iron	.50	
⑯ 410XX-16	Car Side Grab Iron	.50	
⑰ 410XX-17	Brake Cylinder Linkage	1.00	
⑱ 41000-18	Brake Rod	1.00	
⑲ 41000-19	Brake Linkage	1.00	
⑳ 41000-20	Air Tank	1.00	
㉑ 29101	Truck, Freight w/Plastic Wheels w/o coupler (pair)	16.95	
㉒ 29200	Coupler-Knuckle (2 pcs.)	7.95	
㉓ 29101-86	Bolster Truck Screw	.50	
Ⓐ 29104	Plastic Wheel Set (2 Axles-4 Wheels)	5.95	
Ⓑ 29101-02	Sideframe	4.00	
Ⓒ 29101-03	Axle Bushing (2 pcs.)	1.00	
Ⓓ 29101-04	Spring Holder w/Brakeshoes	1.00	
Ⓔ 29101-06	Bolster	2.00	
Ⓕ 29101-99	Freight Truck Springs (2 pcs.)	1.00	
Ⓖ 29200-08	Mounting Screw	.50	
Ⓗ 29101-69	Plastic Loop/Hook Coupler (2 pcs.)	No Charge	
Ⓙ 41000-99	Parts List-Order Form	No Charge	

*one piece unless otherwise noted

RETURN THIS FORM WITH YOUR ORDER
A REPLACEMENT FORM WILL BE SENT WITH YOUR ORDER

NOTE: When ordering replacement parts or repair request, please refer to proper 5 or 7 digit number listed. XX refers to last two digits of roadname ART freight car number when part is painted to match, i.e. ART-41015 B & O. 41015-05 would then refer to BODY SIDE for B & O DROP END GONDOLA CAR ART-41015. If part is same FOR ALL DROP END GONDOLA CARS, 41000-plus 2 digit number would be used to denote specific part, i.e. 41000-11 End Frame Clip used on ALL DROP END GONDOLA CARS regardless of railroad name. When part is same FOR ALL DROP END GONDOLA CARS AND OTHER FREIGHT CARS, 29200 (or other #-plus 2 digit number) would be used to denote specific part regardless of roadname/car type. Please specify roadname/ART# on line above part# list and always when ordering parts by phone/fax/letter. Unpainted/painted part(s) will be substituted if the painted to match part(s) ordered are not available. In addition to Price Each shown please enclose... \$3.50 shipping/handling if part order is less than \$10.00 or \$5.00 shipping/handling if part order is \$10.00 or more.

This is for part order only. Not WARRANTY order. Include proper payment for parts plus shipping/handling with your (USA Bank Account Only) check/money order payable in US Dollars (\$) to: Polk's Hobbies. Please DO NOT SEND CASH. Sorry no C.O.D.'s for parts. New Jersey residents add 6% NJ State Sales Tax.

Be Sure to include your name, street address (no Post Office Box please), city, state (or province), country (if outside USA), and postal zip code, along with daytime phone number including Area Code, so that you may be contacted if necessary.

Mail order form and payment to:

ARISTO-CRAFT TRAINS/Polk's Modelcraft Hobbies, Inc.
346 Bergen Avenue
Jersey City, NJ 07304 USA

Allow 4-6 weeks for processing and delivery.

PLEASE PRINT CLEARLY

NAME: _____

ADDRESS: _____

CITY: _____ STATE: _____ ZIP: _____

PHONE:(_____)_____-_____

