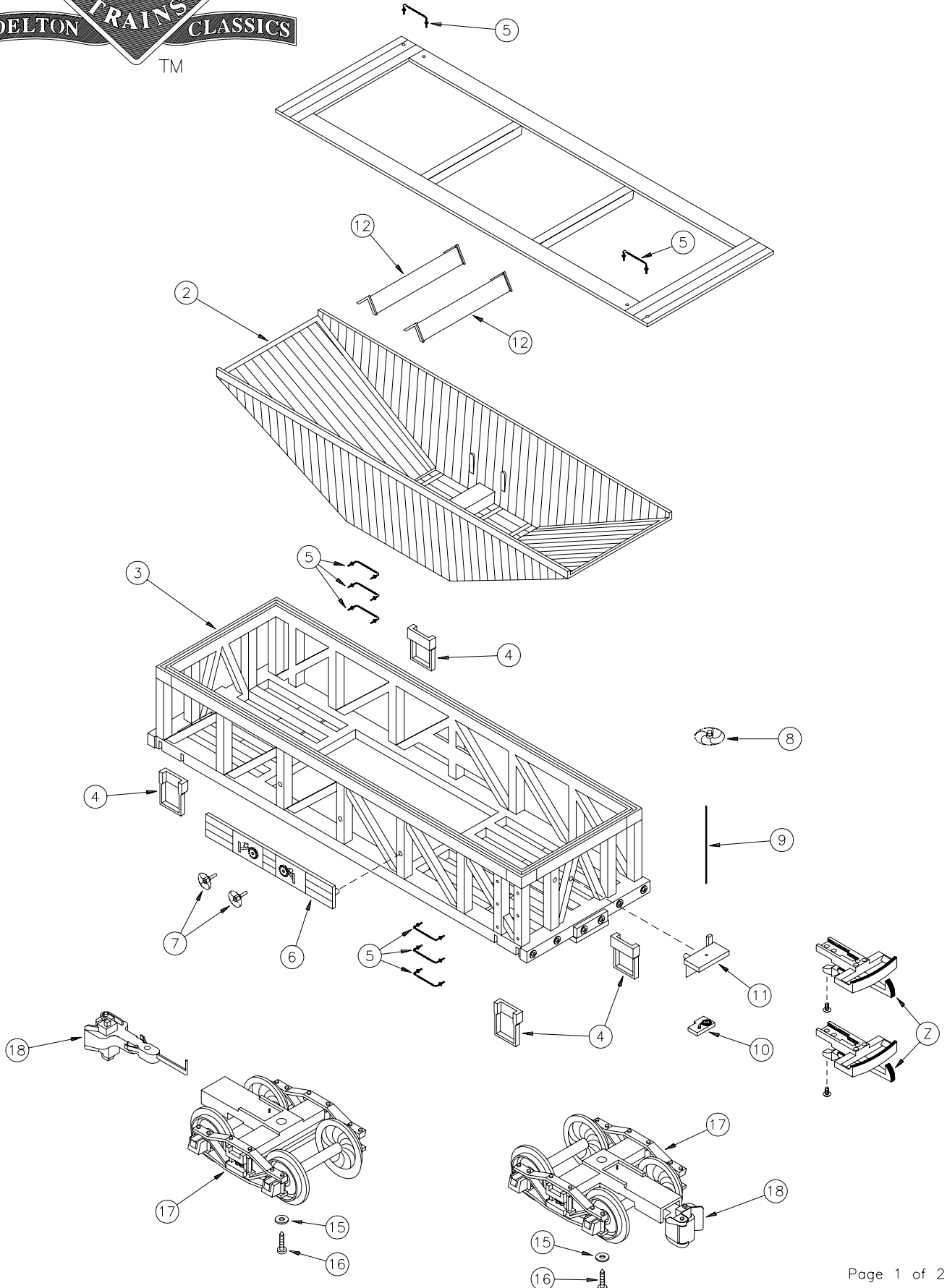


#1 Gauge 1:24 SCALE



# ART-81400 SERIES COAL HOPPER CAR

## EXPLODED PARTS DIAGRAM



# ART-81400 SERIES COAL HOPPER CAR

## PARTS LIST-ORDER FORM

SPECIFY ROADNAME/ART#: \_\_\_\_\_

RETURN THIS FORM WITH YOUR ORDER  
A REPLACEMENT FORM WILL BE  
SENT WITH YOUR ORDER



Part #	Description *	Price	Insert Quantity Ordered
81400-01	Instruction Manual	\$ 1.00	
814XX-02	COAL HOPPER sloped body(Except LTD./Special editions)	25.00	
814XX-13	COAL HOPPER Top Frame(Except LTD./Special editions)	10.00	
814XX-03	BODYframe (Except LTD./Special editions)	25.00	
86400-04	BODY END Step (pair)	2.00	
86400-05	Grab-Railing End / Side	1.00	
814XX-06	BODY Side Panel (Except LTD./Special editions)	3.00	
81400-07	BODY Side Wheels (pair)	3.00	
864XX-08	Brakewheel	1.00	
81400-09	Brass Brakewheel Post	2.00	
814XX-10	Brakewheel Post Mount	1.00	
814XX-11	Brakewheel Platform	2.00	
814XX-12	Sloped Body Interior Brace	2.00	
86400-15	TRUCK Mounting Washer	1.00	
86400-16	TRUCK Mounting Screw	1.00	
89101	DELTON CLASSICS FREIGHT TRUCK (pair)		
	PLASTIC WHEELS w/o knuckle couplers	16.95	
89200	DELTON CLASSICS KNUCKLE COUPLER (pair)	7.95	
29104	Plastic Wheel Set (2 Axles-4 Wheels)	5.95	
89101-02	Sideframe	4.00	
89101-03	Spring Holder	1.00	
89101-04	Bolster	2.00	
89101-99	Freight Truck Springs (2 pcs.)	1.00	
89200-02	Coupler Drawhead Shank	2.00	
89200-03	Coupler Pin	1.00	
89200-04	Knuckle Head	1.00	
89200-05	Knuckle Spring	1.00	
89200-06	Drawhead Bottom Shaft	1.00	
29101-69	Plastic Loop/Hook Coupler (2 pcs.)	No Charge	
81400-99	Parts List-Order Form	No Charge	

\*one piece unless otherwise noted

DO NOT CONFUSE ART-29101 ARISTO-CRAFT TRAINS FREIGHT TRUCK (pair) and ART-29200 ARISTO-CRAFT TRAINS Knuckle Couplers with the ART-89101 ARISTO-CRAFT TRAINS DELTON CLASSICS FREIGHT TRUCK (pair) and the ART-89200 ARISTO-CRAFT TRAINS DELTON CLASSICS Knuckle Couplers (used only on former DELTON products produced 1985-1994 and the new 1995 production DELTON CLASSICS by ARISTO-CRAFT TRAINS). While both styles of trucks/couplers may appear to be similar, many of the components/parts are not interchangeable and automatic operation between the two styles of Knuckle Couplers may not be possible.

NOTE: When ordering replacement parts or repair request, please refer to proper 5 or 7 digit number listed. XX refers to last two digits of roadname ART freight car number when part is painted to match, i.e. ART-81401 DRGW/RIO GRANDE, 81401-03 would then refer to BODYFRAME for RIO GRANDE DELTON CLASSICS COAL HOPPER CAR. If part is same FOR ALL DELTON CLASSICS COAL HOPPER CARS, 81400-plus 2 digit number would be used to denote specific part, i.e. 86400-07 BODY Side Wheels (pair) used on ALL DELTON CLASSICS COAL HOPPER CARS regardless of railroad name. When part is same FOR ALL DELTON CLASSICS COAL HOPPER CARS AND OTHER FREIGHT CARS, 29104 (or other #-plus 2 digit number) would be used to denote specific part regardless of roadname/car type. Please specify roadname/ART# on line above part# list and always when ordering parts by phone/fax/letter.

Unpainted/painted part(s) will be substituted if the painted to match part(s) ordered are not available. In addition to Price Each shown please enclose... \$3.50 shipping/handling if part order is less than \$10.00 or \$5.00 shipping/handling if part order is \$10.00 or more.

This is for part order only. Not WARRANTY order. Include proper payment for parts plus shipping/handling with your (USA Bank Account Only) check/money order payable in US Dollars (\$) to: Polk's Modelcraft Hobbies, Inc. Please DO NOT SEND CASH. Sorry no C.O.D.'s for parts. New Jersey residents add 6% NJ State Sales Tax. Be Sure to include your name, street address (no Post Office Box please), city, state (or province), country (if outside USA), and postal zip code, along with daytime phone number including Area Code, so that you may be contacted if necessary.

Mail order form and payment to:  
ARISTO-CRAFT TRAINS/Polk's Modelcraft Hobbies, Inc.  
346 Bergen Avenue  
Jersey City, NJ 07304 USA  
Allow 4-6 weeks for processing and delivery.  
PLEASE PRINT CLEARLY

NAME: \_\_\_\_\_  
ADDRESS \_\_\_\_\_  
CITY: \_\_\_\_\_ STATE: \_\_\_\_\_ ZIP \_\_\_\_\_  
PHONE: (\_\_\_\_) - \_\_\_\_\_

