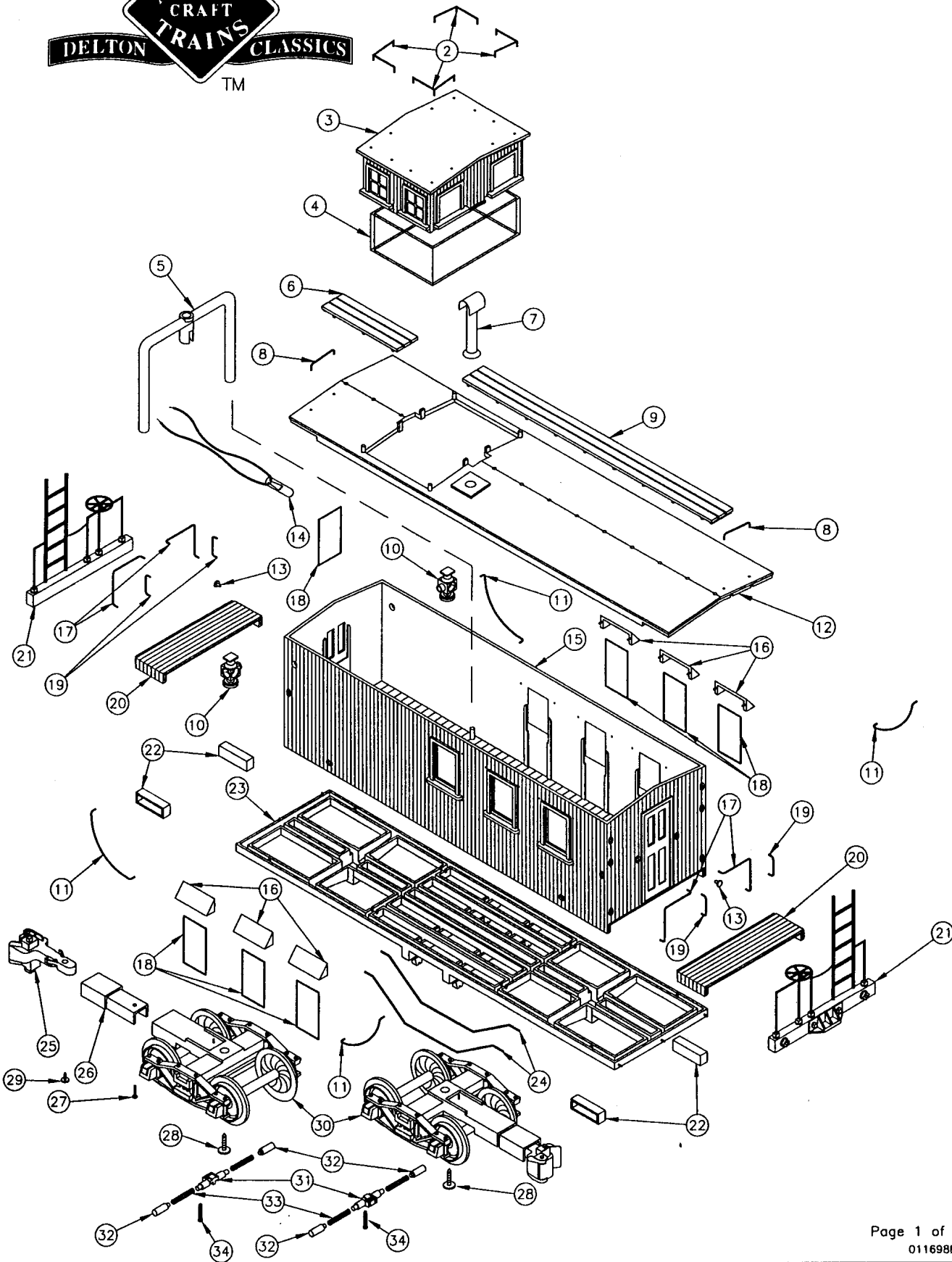


1 Gauge 1:24 SCALE

# ART-82100 SERIES WOOD CABOOSE

## EXPLODED PARTS DIAGRAM



#1 1:29  
Gauge SCALE

# ART-82100 SERIES WOOD CABOOSE

## PARTS LIST-ORDER FORM



SPECIFY ROADNAME/ART#: \_\_\_\_\_ Insert  
Quantity

Part #	Description *	Price	Quantity Ordered
① 82100-01	Instruction Manual	\$ 1.00	
② 82100-02	Cupola Hand Rails	.50	
③ 82100-03	Cupola	5.00	
④ 82100-04	Cupola Window Glass	2.00	
⑤ 82100-05	Interior Lighting Bracket	2.00	
⑥ 82100-06	Short Roof Walk	2.00	
⑦ 82100-07	Smoke Stack	2.00	
⑧ 82100-08	Roof Grab Iron	.50	
⑨ 82100-09	Long Roof Walk	2.00	
⑩ 82100-10	Marker Light (Pr.)	5.00	
⑪ 82100-11	Side Grab Iron	1.00	
⑫ 82100-12	Roof	7.50	
⑬ 82100-13	Doorknob	1.00	
⑭ 82100-14	Light Bulb	1.00	
⑮ 82100-15	Car Body	20.00	
⑯ 82100-16	Window Shades	2.50	
⑰ 82100-17	Rear Hand Rails	2.00	
⑱ 82100-18	Window Glass	1.00	
⑲ 82100-19	Rear of Car Grab Irons	.50	
⑳ 82100-20	Back Porch	3.00	
㉑ 82100-21	Roof Ladder & Brake Wheel Assembly	7.00	
㉒ 82100-22	Back Porch Steps	2.50	
㉓ 82100-23	Chassis	15.00	
㉔ 82100-24	Truss Rods	1.00	
㉕ 82100-25	Knuckle Coupler...(Aristo P/N)	7.95	
㉖ 82100-26	Coupler Extension	2.50	
㉗ 82100-27	Extension Screw	.25	
㉘ 82100-28	Truck Mounting Screw	.25	
㉙ 82100-29	Coupler Mounting Screw	.25	
㉚ 82100-30	Truck...(Aristo P/N)	16.95	
㉛ 82100-31	Brush Assembly	4.95	
㉜ 82100-32	Brush	1.00	
㉝ 82100-33	Spring	1.00	
㉞ 82100-34	Brush Assembly Mounting Screw	.25	

\*one piece unless otherwise noted

RETURN THIS FORM WITH YOUR ORDER  
A REPLACEMENT FORM WILL BE SENT WITH YOUR ORDER

NOTE: When ordering replacement parts or repair request,  
please refer to proper 5 or 7 digit number listed.

XX refers to last two digits of roadname ART freight car number  
when part is painted to match, i.e. ART-82104 EAST BROAD  
TOP. 82104-03 would then refer to the CUPOLA for EAST BROAD TOP  
CABOOSE ART-82100. If part is same FOR ALL CABOOSES, 82100-plus  
2 digit number would then be used to denote specific part, i.e.  
82100-23 CHASSIS. When part is same FOR ALL CABOOSES and  
OTHER FREIGHT CARS, 29200 (or other #-plus 2 digit number)  
would be used to denote specific part regardless of roadname/car  
type. Please specify roadname/ART # on line above part # list.

Unpainted/painted part(s) will be substituted if the  
painted to match part(s) ordered are not available.

In addition to Price Each shown please enclose...  
\$3.50 shipping/handling if part order is less than \$10.00 or  
\$5.00 shipping/handling if part order is \$10.00 or more.  
This is for part order only. Not WARRANTY order.

Include proper payment for parts plus shipping/handling  
with your (USA Bank Account Only) check/money order  
payable in US Dollars (\$) to: Polk's Hobbies. Please  
DO NOT SEND CASH. Sorry no C.O.D.'s for parts.

New Jersey residents add 6% NJ State Sales Tax.

Be Sure to include your name, street address (no Post  
Office Box please), city, state (or province), country  
(if outside USA), and postal zip code, along with daytime  
phone number including Area Code, so that you may be  
contacted if necessary.

Mail order form and payment to:

ARISTO-CRAFT TRAINS/Polk's Modelcraft Hobbies, Inc.  
346 Bergen Avenue  
Jersey City, NJ 07304 USA

Allow 4-6 weeks for processing and delivery.

PLEASE PRINT CLEARLY

NAME: \_\_\_\_\_

ADDRESS \_\_\_\_\_

CITY: \_\_\_\_\_ STATE: \_\_\_\_\_ ZIP \_\_\_\_\_

PHONE:(\_\_\_\_\_) - \_\_\_\_\_ - \_\_\_\_\_