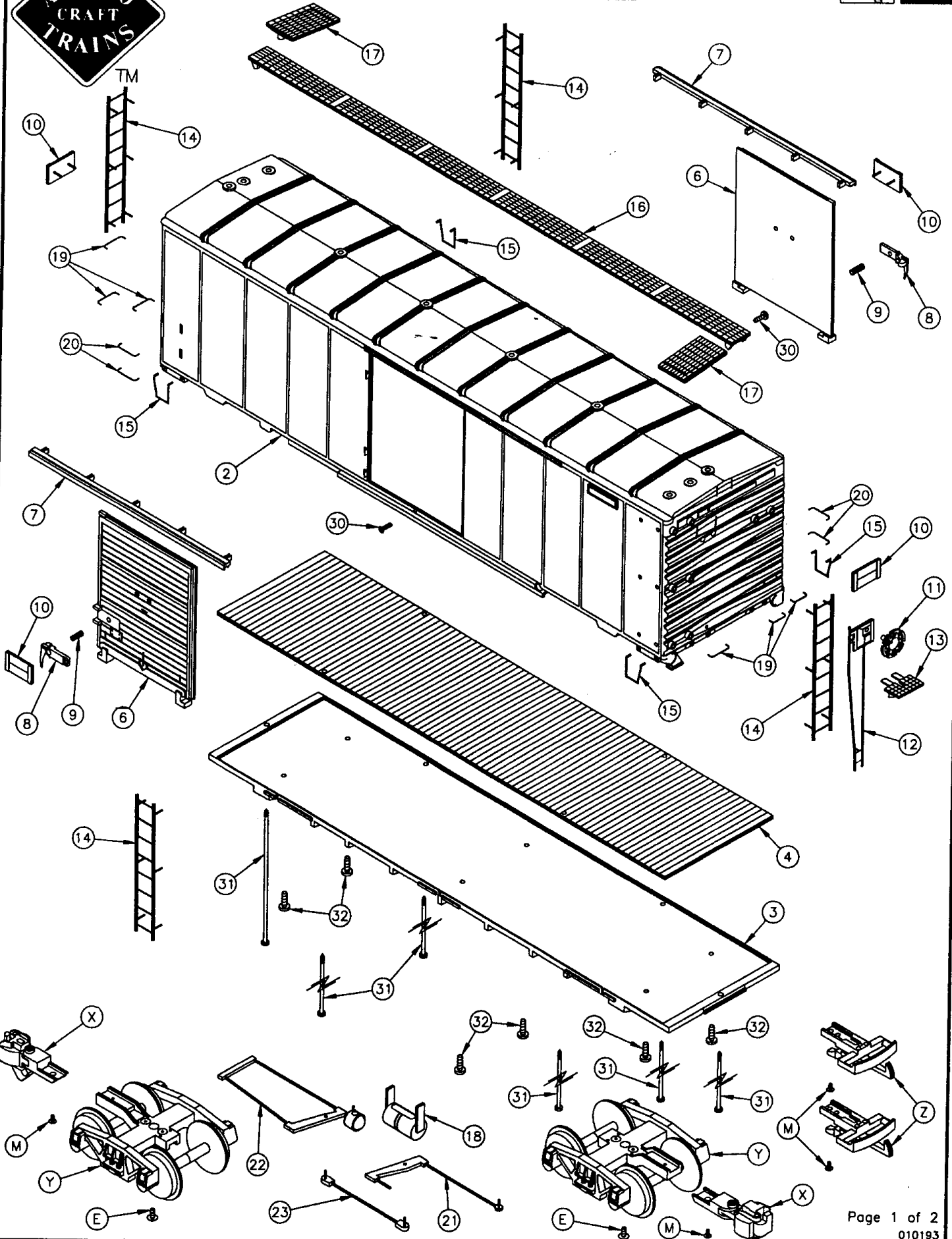




# ART-46000 SERIES 40 FT. BOXCAR (STEEL)

EXPLODED PARTS DIAGRAM

#1 Gauge 1:29 SCALE





1:29 SCALE

# ART-46000 SERIES 40 FT. BOX CAR (STEEL)

## PARTS LIST-ORDER FORM



SPECIFY ROADNAME/ART#:

Insert Quantity Ordered

| Part #     | Description *                                      | Price     | Insert Quantity Ordered |
|------------|----------------------------------------------------|-----------|-------------------------|
| ① 46000-01 | Instruction Manual                                 | \$ 1.00   |                         |
| ② 460XX-02 | Box Car Body (Except LTD./Special editions)        | 30.00     |                         |
| ③ 46000-03 | Underframe                                         | 15.00     |                         |
| ④ 46000-04 | Floor                                              | 10.00     |                         |
| ⑤ 460XX-06 | Door                                               | 5.00      |                         |
| ⑥ 460XX-07 | Door Guide                                         | 1.00      |                         |
| ⑦ 460XX-08 | Door Latch                                         | 1.00      |                         |
| ⑧ 46000-09 | Door Latch Spring                                  | 1.00      |                         |
| ⑨ 46000-10 | Placard Holder                                     | 1.00      |                         |
| ⑩ 46000-11 | Brakewheel                                         | 1.00      |                         |
| ⑪ 46000-12 | Brakewheel Post/Pipe                               | 1.00      |                         |
| ⑫ 46000-13 | Brake Platform                                     | 1.00      |                         |
| ⑬ 46000-14 | End/Side Ladder                                    | 1.00      |                         |
| ⑭ 46000-15 | Step-Left Right (pair)                             | 2.00      |                         |
| ⑮ 46000-16 | Long Roofwalk                                      | 1.00      |                         |
| ⑯ 46000-17 | Side Roofwalk                                      | 1.00      |                         |
| ⑰ 46000-18 | Air Tank                                           | 1.00      |                         |
| ⑱ 46000-19 | Brass Grabrailing-End                              | 2.00      |                         |
| ⑲ 46000-20 | Brass Grabrailing-Small Side                       | 2.00      |                         |
| ⑳ 46000-21 | Brake Rigging                                      | 1.00      |                         |
| ㉑ 46000-22 | Brake Piston                                       | 1.00      |                         |
| ㉒ 46000-23 | Brake Linkage                                      | 1.00      |                         |
| ㉓ 46000-80 | Body Side Screw (2 pcs.)                           | 1.00      |                         |
| ㉔ 46000-81 | Body Screw, Long                                   | 2.00      |                         |
| ㉕ 46000-82 | Underframe Screw (2 pcs.)                          | 1.00      |                         |
| ㉖ 29104    | Plastic Wheel Set (2 Axles-4 Wheels)               | 5.95      |                         |
| ㉗ 29101-02 | Sideframe                                          | 4.00      |                         |
| ㉘ 29101-03 | Axle Bushing (2 pcs.)                              | 1.00      |                         |
| ㉙ 29101-04 | Spring Holder w/Brakeshoes                         | 1.00      |                         |
| ㉚ 29101-86 | Bolster Truck Screw                                | 1.00      |                         |
| ㉛ 29101-06 | Bolster                                            | 2.00      |                         |
| ㉜ 29101-99 | Freight Truck Springs (2 pcs.)                     | 1.00      |                         |
| ㉝ 29200-02 | Coupler Drawhead Shank                             | 1.00      |                         |
| ㉞ 29200-03 | Shank Pivot                                        | 1.00      |                         |
| ㉟ 29200-04 | Centering Spring                                   | 1.00      |                         |
| ㊱ 29200-85 | Centering Screw                                    | 1.00      |                         |
| ㊲ 29200-06 | Coupler Mounting Bracket                           | 1.00      |                         |
| ㊳ 29200-87 | Mounting Screw                                     | 1.00      |                         |
| ㊴ 29200-08 | Centering Shaft                                    | 1.00      |                         |
| ㊵ 29200-09 | Drawhead Spring                                    | 1.00      |                         |
| ㊶ 29200-10 | Knuckle Tab                                        | 1.00      |                         |
| ㊷ 29200-11 | Knuckle Spring                                     | 1.00      |                         |
| ㊸ 29200-12 | Knuckle Head                                       | 1.00      |                         |
| ㊹ 29200-13 | Drawhead Bottom Plate                              | 1.00      |                         |
| ㊺ 29200-84 | Plate Mounting Screw (2 pcs.)                      | 1.00      |                         |
| ㊻ 29200    | Coupler-Knuckle (2 pcs.)                           | 7.95      |                         |
| ㊼ 29101    | Truck, Freight w/Plastic Wheels w/o coupler (pair) | 16.95     |                         |
| ㊽ 29101-69 | Plastic Loop/Hook Coupler (2 pcs.)                 | No Charge |                         |
| ㊾ 46000-99 | Parts List-Order Form                              | No Charge |                         |

RETURN THIS FORM WITH YOUR ORDER  
A REPLACEMENT FORM WILL BE SENT WITH YOUR ORDER

NOTE: When ordering replacement parts or repair request, please refer to proper 5 or 7 digit number listed.

XX refers to last two digits of roadname ART freight car number when part is painted to match, i.e. ART-46002 RIO GRANDE. 46002-06 would then refer to Door for RIO GRANDE BOX CAR ART-46002. When part is same FOR ALL FORTY-FOOT STEEL BOX CARS, 46000-plus 2 digit number would be used to denote specific part, i.e. 46000-03 is BOX CAR UNDERFRAME used on all BOX CARS regardless of roadname. Please specify roadname/ART# on line above part# list.

Unpainted/painted part(s) will be substituted if the painted to match part(s) ordered are not available.

In addition to Price shown please enclose...

\$5.00 shipping & handling if order is domestic US.

\$15.00 shipping & handling if order is foreign

Include proper payment for parts plus shipping/handling with your (USA Bank Account Only) check/money order payable in US Dollars (\$) to: Polk's Hobbies. Please DO NOT SEND CASH. Sorry no C.O.D.'s for parts.

New Jersey residents add 7% NJ State Sales Tax.

Be Sure to include your name, street address (no Post Office Box please), city, state (or province), country (if outside USA), and postal zip code, along with daytime phone number including Area Code, so that you may be contacted if necessary.

Mail order form and payment to:

ARISTO-CRAFT TRAINS  
698 SOUTH 21ST STREET  
IRVINGTON, NJ 07111-4109

PLEASE PRINT CLEARLY

NAME: \_\_\_\_\_

ADDRESS \_\_\_\_\_

CITY: \_\_\_\_\_ STATE: \_\_\_\_\_ ZIP \_\_\_\_\_

PHONE: (\_\_\_\_) \_\_\_\_\_ - \_\_\_\_\_

\*one piece unless otherwise noted

