

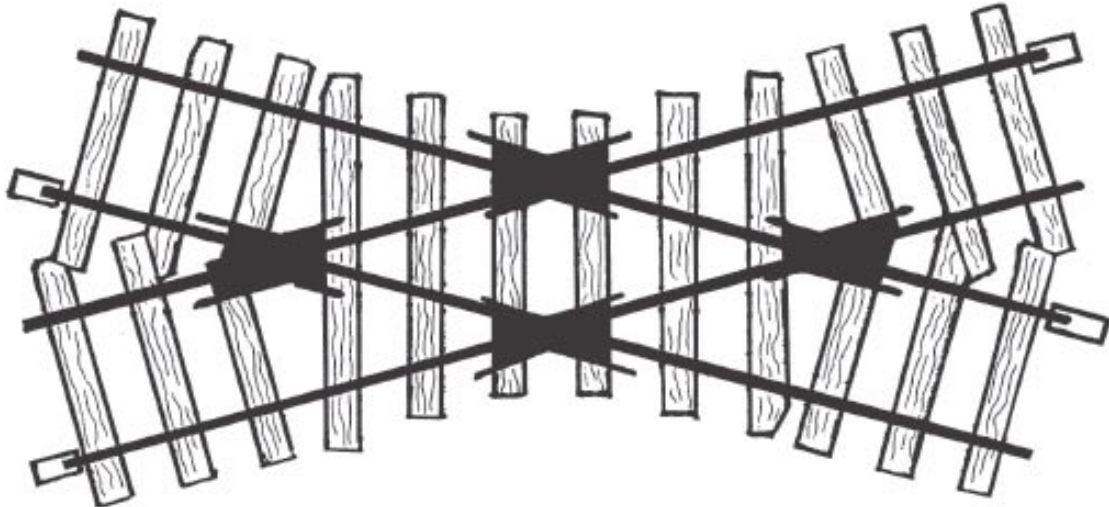
#1
Gauge

30 DEGREE CROSSING

For ART-11300 Euro Ties, ART-20405 Stainless Steel & ART-30405 American Ties

INSTRUCTION MANUAL

ART-11300-01



ARISTO-CRAFT TRAINS

112894 NEW

INTRODUCTION

Dear Model Railroader:

All ARISTO-CRAFT TRAINS TRACK Products are suitable for both Indoor and Outdoor use. The BRASS rail and molded plastic ties are both durable and functional, allowing for "all-weather" operations of all ARISTO-CRAFT TRAINS products and most other major toy train manufacturers' #1 Gauge/G-Garden Railroad locomotives, railcars, and is fully compatible with most other brands of solid-rail #1 Gauge 45mm track.

Should you have any questions about operations, proper usage, or maintenance required on ARISTO-CRAFT TRAINS #1 GAUGE/ G-Garden Model Railroad products, please contact us at the following address:

ARISTO-CRAFT TRAINS	PHONE: 973-351-9800
698 SOUTH 21ST STREET	FAX: 973-351-9700
IRVINGTON, NJ 07111	EMAIL: aristo@mindspring.com
	www.aristocraft.com

Our phone lines are open from 10:00 AM to 5:00 PM (EASTERN STANDARD TIME) Monday through Friday

The following instructions are intended to help you understand and operate with this product.

Good Railroading!!!

FEATURES:

SOLID BRASS RAILS (or Stainless Steel ART-20405)
BRASS RAILJOINERS with set screws (or Stainless Steel ART-20405)
INSULATED CROSSING FROGS

Adding the 30 DEGREE CROSSING to your layout ...

1. The 30 DEGREECROSSING is designed to replace 1 piece of ART-11000 or ART-30030 Straight Track. By utilizing additional track pieces, the layout design can be modified to allow crossing-over train operation in a figure-8 pattern.(or replace 1 piece Stainless Steel ART-20030 1' Straight Track)
2. To power supply ... connect the round terminal of Track-to-Pack wire (ART-29600) to screw/washer located underneath each section of ARISTO-CRAFT TRAINS track (all style #'s). See FIGURE 1.

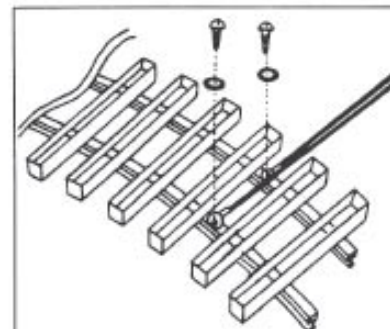


FIGURE 1

3. Join track sections together, making sure the railjoiners (ART-11900/ART-30001) fit properly. Each track section may be permanently joined to adjacent track section by inserting the locking set screw (ART-29405/ART-11910) through slot in opposite railjoiner. (or Stainless Steel railjoiners ART-20199)

4. Position properly into pre-drilled hole in rail and tighten. See FIGURE 2.

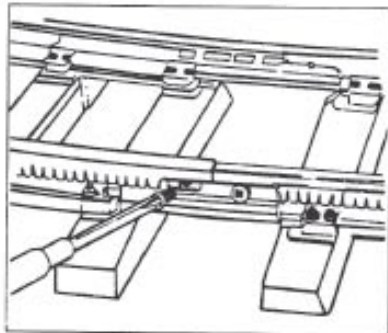


FIGURE 2

5. Set screws (2) are located underneath each track section (all style #'s) encased in wax.

6. **NOTE:** The rail ends of each piece of BRASS rail used on the ART-11300 CROSSING (and all other style #'s of ARISTO-CRAFT TRAINS TRACK Products) are drilled and tapped to accept the functional and realistic ARISTO-CRAFT TRAINS railjoiner with set screw system.

7. Most importantly, by trimming each of 4 rails on one through section of track (see Figure 3) and utilizing the additional pre-drilled holes that are 27.5mm from each rail end to reposition rail joiners with set screws, the ART-11300 CROSSING can be easily used in any existing track plans requiring similar CROSSING TRACKS of other manufacturers.

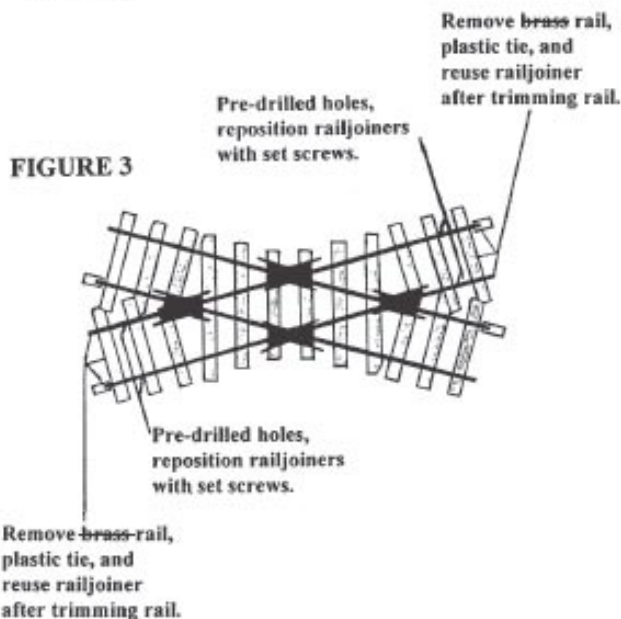


FIGURE 3

8. REPLACEMENT/MAINTENANCE PARTS LISTING FOR ART-11300 CROSSING

PART #	DESCRIPTION
11300-01	Instruction Manual
11900	BRASS Railjoiners (12)
11910	STAINLESS TRACK SCREWS LARGE (48) w/Socket Head and Allen style Wrench
29405	TRACK SCREWS-STAINLESS Phillip Head (50)
29600	TRACK-TO-PACK Connection Wire
29601	SMOKE FLUID/TRACK CLEANER
29950	TRACK CLEANING PAD (use w/46950 TRACK CLEANING CAR)
46950	TRACK CLEANING CAR

Call for current prices

NOTE: When ordering replacement parts or repair request, please refer to proper 5 or 7 digit part number listed.

In addition to COST shown above, please enclose ...
\$3.50 shipping/handling* if PART Order less than \$10.00 or
\$5.00 shipping/handling* if PART Order \$10.00 and above.

*This is for PART Order only, not WARRANTY Order.

LIMITED WARRANTY

9. All ARISTO-CRAFT TRAINS products are under warranty for 180 days from DATE OF PURCHASE against defects in workmanship and/or materials. Proof of purchase may be required by ARISTO-CRAFT TRAINS.

10. This warranty is VOID and does not apply to any product and/or parts and components which have been improperly installed by purchaser/owner, abused or damaged in any way through improper operation such as train derailment, modified, or repaired by unauthorized service centers and/or non-factory authorized technicians.

SERVICING:

11. Should your ARISTO-CRAFT TRAINS model railroad product require warranty service, be sure to take the following steps to assure proper servicing:

12. Return product in proper shipping carton. Pack product carefully in cardboard box, FULLY INSURED and PREPAID. ARISTO-CRAFT TRAINS will not be responsible for any damage or loss incurred during shipping.

13. Include a brief but thorough explanation of the problem(s) and the servicing that may be required.

14. Be sure to include your NAME, STREET ADDRESS (no Post Office Box, please), CITY, STATE (or PROVINCE), COUNTRY (if outside USA), and postal ZIP CODE along with daytime phone number, including Area Code, so that you may be contacted if it becomes necessary. All identification should be both - INSIDE package, contained in letter, and - OUTSIDE cardboard box.

15. Include proper payment for shipping/handling -

Locomotive or Complete Train Set \$29.00 US

Any track accessories, switch, track, buildings, individual freight/passenger cars, or water \$10.00 US

- with your (USA Bank Account only) check/Money Order payable in US Dollars (\$) to: Polk's Hobbies. **Please DO NOT SEND CASH.** If your item is out of warranty, you will be contacted with amount of repair costs before repairs are started.

C.O.D. shipping charges NOT included, additional cost.

16. Ship your item(s) to:
ARISTO-CRAFT TRAINS
698 SOUTH 21ST STREET
IRVINGTON, NJ 07111
PHONE: 973-351-9800
FAX: 973-351-9700
EMAIL: aristo@mindspring.com
www.aristocraft.com

17. Immediate written confirmation of receipt of returned item(s) will be sent along with estimated repair time by ARISTO-CRAFT TRAINS Service/Repair Department.