



# ART-41200 SERIES 2-BAY COVERED HOPPER

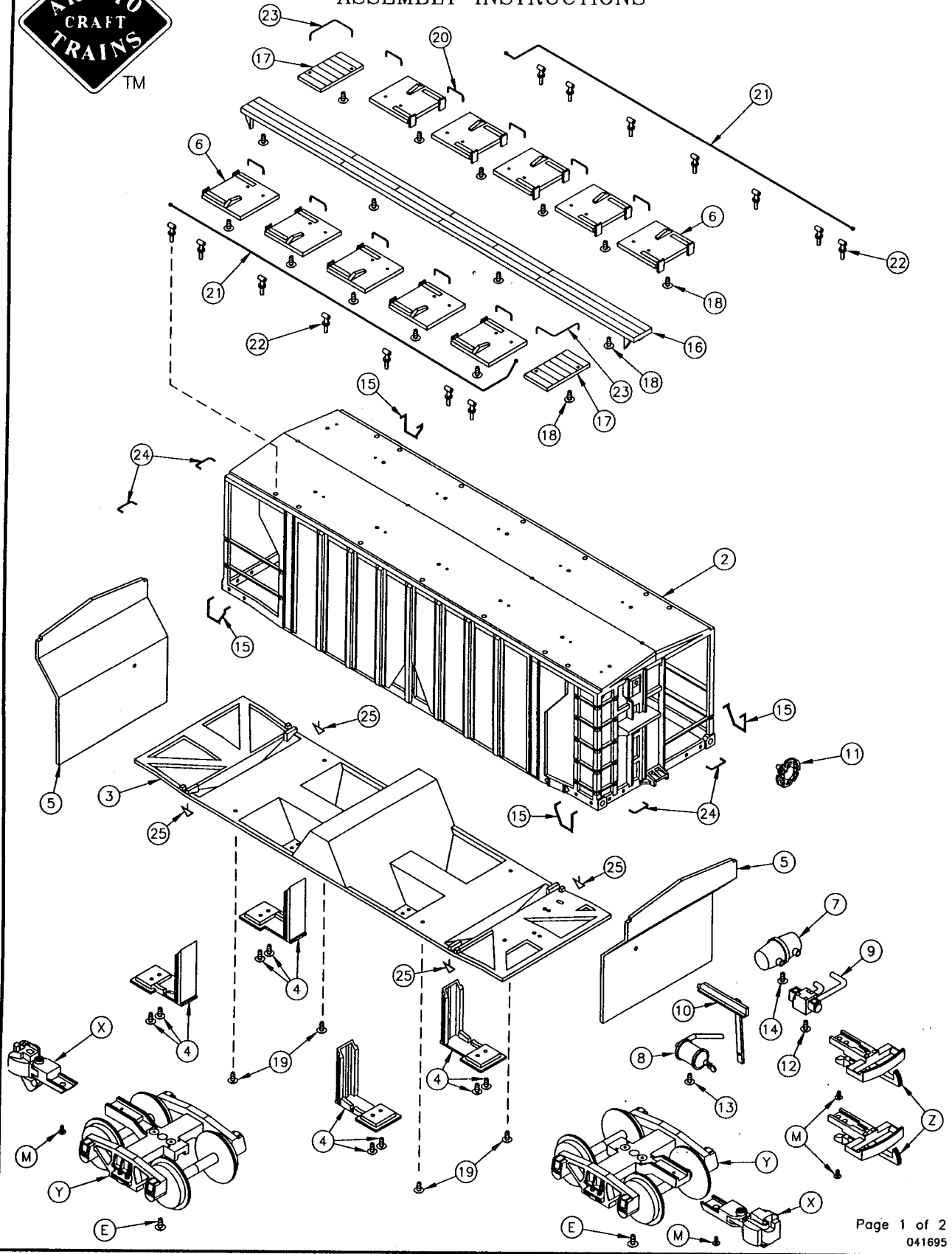
## ASSEMBLY INSTRUCTIONS

Gauge 1:29  
SCALE

(+)

(+)

(+)



#1 Gauge SCALE

# ART-41200 SERIES 2-BAY COVERED HOPPER PARTS LIST-ORDER FORM



SPECIFY ROADNAME/ART#: \_\_\_\_\_ Insert Quantity Ordered

RETURN THIS FORM WITH YOUR ORDER  
A REPLACEMENT FORM WILL BE SENT WITH YOUR ORDER

Part #	Description *	Price
① 41200-01	Instruction Manual	\$ 1.00
② 412XX-02	Body (Except LTD./Special editions)	35.00
③ 412XX-03	Underframe	15.00
④ 412XX-04	Underbody Hatch W/2 Screws	3.00
⑤ 412XX-05	Body End	5.00
⑥ 412XX-06	Roof Hatch	2.00
⑦ 412XX-07	Brake System Air Tank	1.00
⑧ 412XX-08	Brake System Air Piston	1.00
⑨ 412XX-09	Brake System Piping	1.00
⑩ 412XX-10	Brake System Arm	1.00
⑪ 41200-11	Brakewheel (41600-11)	1.00
⑫ 41200-12	Brake System Piping Screw	1.00
⑬ 41200-13	Brake System Air Piston Screw	1.00
⑭ 41200-14	Brake System Air Tank Screw	1.00
⑮ 41200-15	Plastic End Step (46000-15) (Pair)	1.00
⑯ 412XX-16	Long Roofwalk	1.00
⑰ 412XX-17	Side Roofwalk	1.00
⑱ 41200-18	Roof Component Mounting Screw (Pair)	1.00
⑲ 41200-19	Body/Underframe Screw	1.00
⑳ 41200-20	Brass Grabrailing-Roof Hatch/Small	2.00
㉑ 41200-21	Brass Rod-Hatch Mechanism/Long	10.00
㉒ 41200-22	Plastic Rod Guide Posts (Pair)	1.00
㉓ 41200-23	Brass Grabrailing-Side Roofwalk	3.00
㉔ 41200-24	Brass Grabrailing-Body End	2.00
㉕ 41200-25	Brass Underbody Grab Loop (Pair)	2.00
⑳ 29104	Plastic Wheel Set (2 Axles-4 Wheels)	5.95
㉖ 29101-02	Sideframe	4.00
㉗ 29101-03	Axle Bushing (2 pcs.)	1.00
㉘ 29101-04	Spring Holder w/Brakeshoes	1.00
㉙ 29101-86	Bolster Truck Screw	1.00
㉚ 29101-06	Bolster	2.00
㉛ 29101-99	Freight Truck Springs (2 pcs.)	1.00
㉜ 29200-02	Coupler Drawhead Shank	1.00
㉝ 29200-03	Shank Pivot	1.00
㉞ 29200-04	Centering Spring	1.00
㉟ 29200-85	Centering Screw	1.00
㊱ 29200-06	Coupler Mounting Bracket	1.00
㊲ 29200-87	Mounting Screw	1.00
㊳ 29200-08	Centering Shaft	1.00
㊴ 29200-09	Drawhead Spring	1.00
㊵ 29200-10	Knuckle Tab	1.00
㊶ 29200-11	Knuckle Spring	1.00
㊷ 29200-12	Knuckle Head	1.00
㊸ 29200-13	Drawhead Bottom Plate	1.00
㊹ 29200-84	Plate Mounting Screw (2 pcs.)	1.00
㊺ 29200	Coupler-Knuckle (2 pcs.)	7.95
㊻ 29101	Truck, Freight w/Plastic Wheels w/o coupler (pair)	16.95
㊼ 29101-69	Plastic Loop/Hook Coupler (2 pcs.)	No Charge
㊽ 41200-99	Parts List-Order Form	No Charge

NOTE: When ordering replacement parts or repair request, please refer to proper 5 or 7 digit number listed. XX refers to last two digits of roadname ART freight car number when part is painted to match, i.e. ART-41204 JERSEY CENTRAL. 41204-06 would then refer to ROOF HATCH for JERSEY CENTRAL 2-BAY COVERED HOPPER CAR ART-41204. If part is same FOR ALL 2-BAY COVERED HOPPER CARS, 41200-plus 2 digit number would be used to denote specific part, i.e. 41200-22 Brass Rod Guide Posts (Pair) used on ALL 2-BAY COVERED HOPPER CARS regardless of railroad name. When part is same FOR ALL 2-BAY COVERED HOPPER CARS AND OTHER FREIGHT CARS, 29200 (or other #-plus 2 digit number) would be used to denote specific part regardless of roadname/car type. Please specify roadname/ART# on line above part# list and always when ordering parts by phone/fax/letter.

Unpainted/painted part(s) will be substituted if the painted to match part(s) ordered are not available. In addition to Price Each shown please enclose... \$3.50 shipping/handling if part order is less than \$10.00 or \$5.00 shipping/handling if part order is \$10.00 or more.

This is for part order only. Not WARRANTY order. Include proper payment for parts plus shipping/handling with your (USA Bank Account Only) check/money order payable in US Dollars (\$) to: Polk's Hobbies. Please DO NOT SEND CASH. Sorry no C.O.D.'s for parts.

New Jersey residents add 6% NJ State Sales Tax. Be Sure to include your name, street address (no Post Office Box please), city, state (or province), country (if outside USA), and postal zip code, along with daytime phone number including Area Code, so that you may be contacted if necessary.

Mail order form and payment to:  
ARISTO-CRAFT TRAINS/Polk's Modelcraft Hobbies, Inc.  
346 Bergen Avenue  
Jersey City, NJ 07304 USA  
Allow 4-6 weeks for processing and delivery.

PLEASE PRINT CLEARLY  
NAME: \_\_\_\_\_  
ADDRESS \_\_\_\_\_  
CITY: \_\_\_\_\_ STATE: \_\_\_\_\_ ZIP: \_\_\_\_\_  
PHONE: (\_\_\_\_) \_\_\_\_\_

\*one piece unless otherwise noted

